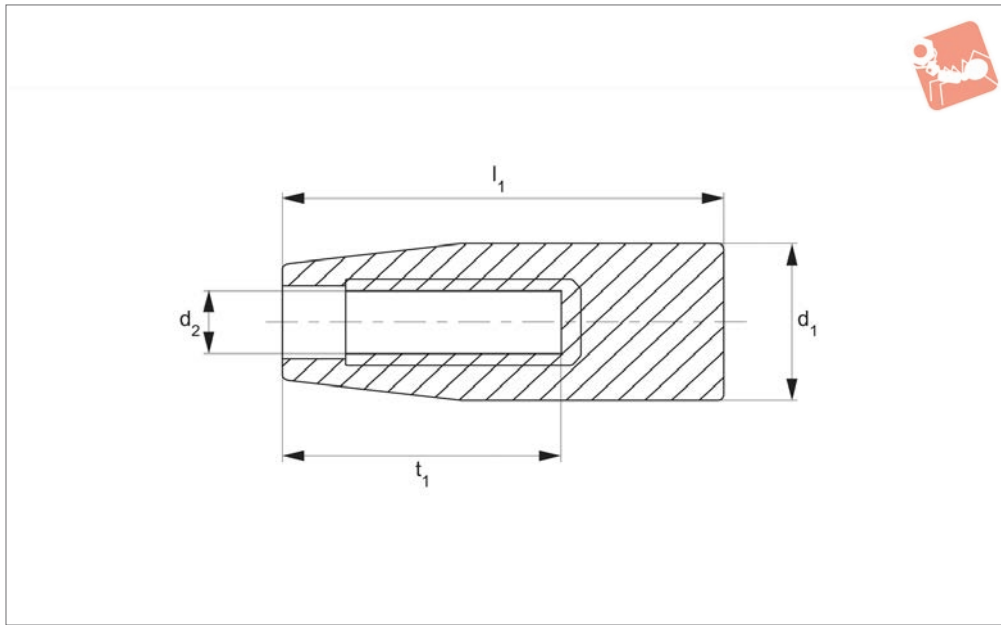
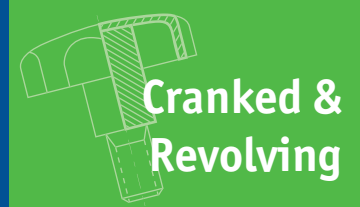




Cylindrical Handles Self Locking plain bore



75012

CRANKED & REVOLVING HANDLES

Material

Phenolic plastic, black.

request, subject to minimum order quantity.

Technical Notes

Special sizes and colours available on

Order No.	d ₁	d ₂	l ₁	t ₁	Weight g
75012.W1705	17	5	40	21	9
75012.W1706	17	6	40	21	9
75012.W2108	21	8	50	28	20
75012.W2110	21	10	50	28	18
75012.W2308	23	8	55	28	27
75012.W2310	23	10	55	28	25
75012.W2510	25	10	65	30	36
75012.W2512	25	12	65	30	35
75012.W2812	28	12	85	45	58
75012.W2814	28	14	85	45	55
75012.W2912	29	12	115	45	89
75012.W2914	29	14	115	45	84