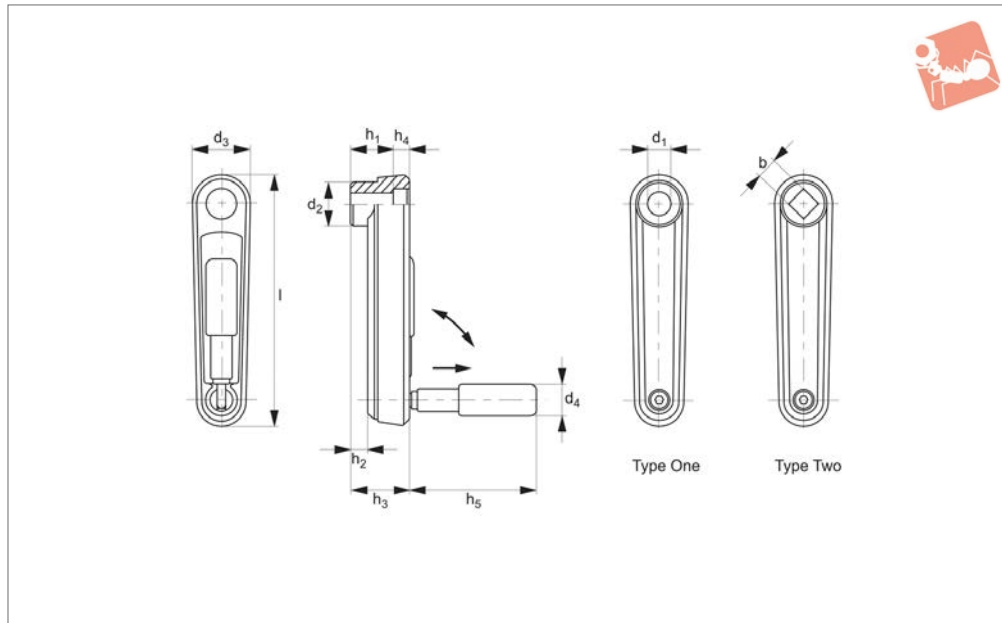


# Cranked Handles

folding handle

# Cranked & Revolving



## 75210

CRANKED & REVOLVING HANDLES

### Material

Axle: Steel, blackened.

Cover: plastic, grey.

Body: Aluminium, plastic coated, structural matt.

Silver - similar RAL 9006

Black - similar RAL9005

Handle: Plastic, black matt.

### Technical Notes

Operating: Handle is locked in position.

To store: Pull handle along axis and lift into locked position.

Order No.	Type, colour	b tol. H11	d <sub>1</sub> tol. H7	d <sub>2</sub>	d <sub>3</sub>	d <sub>4</sub> dia.	h <sub>1</sub>	h <sub>2</sub>	h <sub>3</sub>	h <sub>4</sub>	h <sub>5</sub>	Weight g
75210.W0005	One, silver	-	10	23.0	30	16	19.5	4.0	25.5	4.3	43.0	131
75210.W0010	One, silver	-	12	26.7	35	18	23.5	5.5	29.5	4.2	57.5	180
75210.W0015	One, silver	-	14	28.0	37	24	30.5	10.5	36.5	4.2	76.5	305
75210.W0105	One, black	-	10	23.0	30	16	19.5	4.0	25.5	4.3	43.0	131
75210.W0110	One, black	-	12	26.7	35	18	23.5	5.5	29.5	4.2	57.5	180
75210.W0115	One, black	-	14	28.0	37	24	30.5	10.5	36.5	4.2	76.5	305
75210.W0205	Two, silver	10	-	23.0	30	16	19.5	4.0	25.5	4.3	43.0	131
75210.W0210	Two, silver	12	-	26.7	35	18	23.5	5.5	29.5	4.2	57.5	180
75210.W0215	Two, silver	14	-	28.0	37	24	30.5	10.5	36.5	4.2	76.5	280
75210.W0305	Two, black	10	-	23.0	30	16	19.5	4.0	25.5	4.3	43.0	131
75210.W0310	Two, black	12	-	26.7	35	18	23.5	5.5	29.5	4.2	57.5	180
75210.W0315	Two, black	14	-	28.0	37	24	30.5	10.5	36.5	4.2	76.5	280