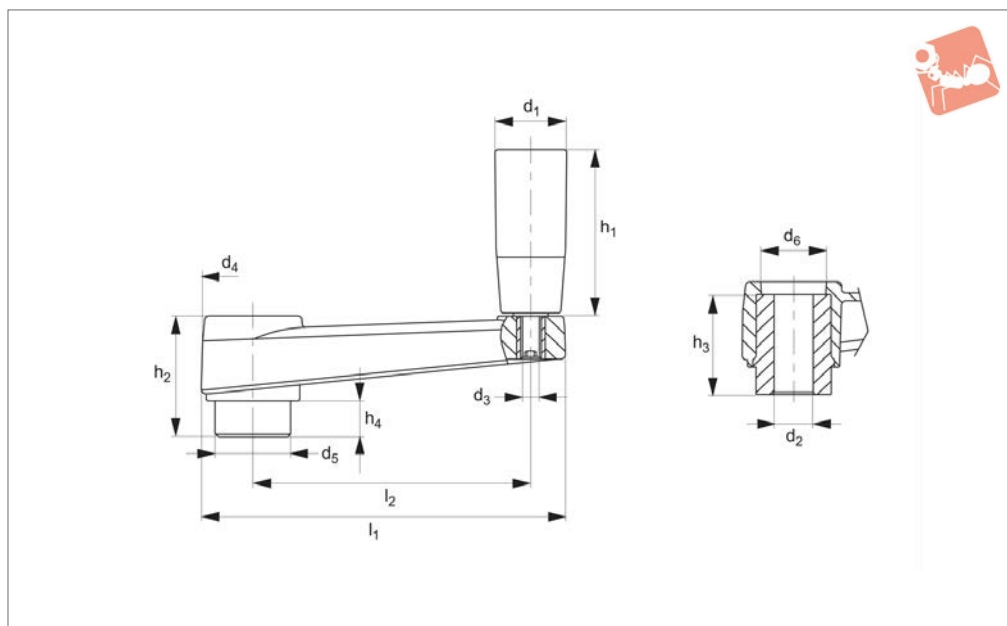


# Cranked Handles with rotating grip



## Cranked & Revolving



**75260**

CRANKED & REVOLVING HANDLES

### Material

Thermoplast, black, matt. Glass fibre reinforced.

Revolving grip: duroplast, black.

Handle arm: thermoplast, black matte.

### Technical Notes

Special inch and metric bars, keyways, set

screw holes etc. available on request.  
Circular bore.

Order No.	d <sub>1</sub>	d <sub>2</sub>	d <sub>3</sub>	d <sub>4</sub>	d <sub>5</sub>	d <sub>6</sub>	h <sub>1</sub>	h <sub>2</sub>	h <sub>3</sub>	h <sub>4</sub>	l <sub>1</sub>	l <sub>2</sub>	Weight g
75260.W0065	10	8	M 6	27	18	16	40	33	30	17	87	65	92
75260.W0080	10	10	M 6	30	22	19	50	36	32	21	105	80	144
75260.W0100	10	12	M 8	34	24	22	65	40	37	25	128	100	232
75260.W0130	14	14	M 8	40	28	25	85	49	44	28	162	130	327
75260.W0160	15	16	M10	45	34	28	85	55	49	28	196	160	510