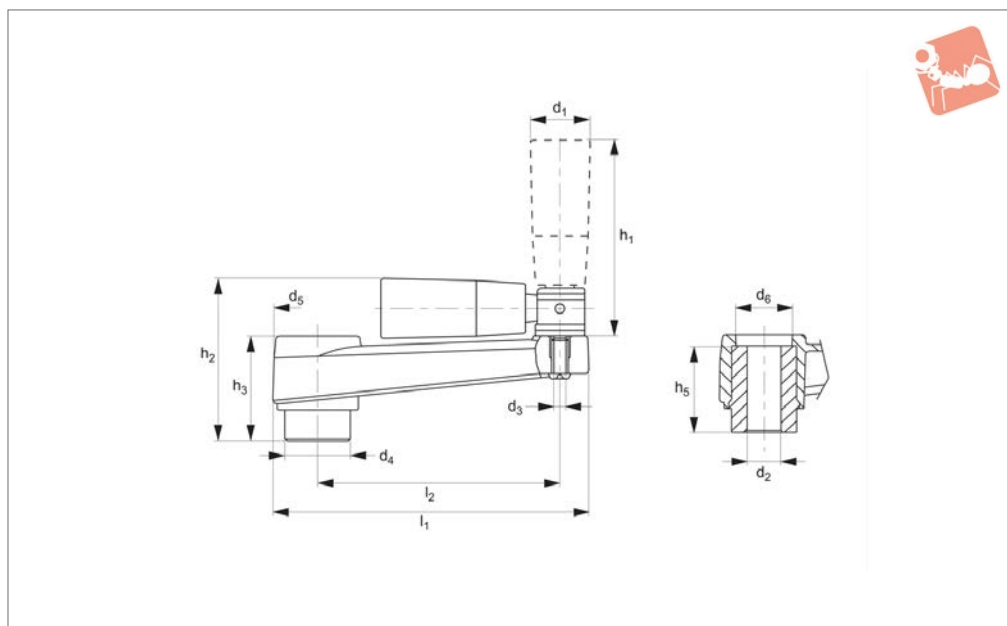




# Cranked Handles with fold-away rotating grip

## Cranked & Revolving



**75360**

CRANKED & REVOLVING HANDLES

### Material

Thermoplastic, black matt. Glass fibre reinforced. With fold-away revolving grip.  
Revolving grip and handle arm: thermo-

plast, black matte.

### Technical Notes

Circular bore.

### Tips

Fold-away grip can be retracted after use to ensure safety or where space is limited.

Order No.	d <sub>1</sub>	d <sub>2</sub>	d <sub>3</sub>	d <sub>4</sub>	d <sub>5</sub>	d <sub>6</sub>	h <sub>1</sub>	h <sub>2</sub>	h <sub>3</sub>	h <sub>5</sub>	l <sub>1</sub>	l <sub>2</sub>	Weight g
<b>75360.W0080</b>	10	10	M 5	22	30	19	50	63	36	32	105	80	125
<b>75360.W0100</b>	10	12	M 6	24	34	22	70	72	40	37	128	100	220
<b>75360.W0130</b>	14	14	M 6	28	40	25	70	83	49	44	162	130	312
<b>75360.W0160</b>	15	16	M 6	34	45	28	90	93	55	49	196	160	518