

77120

HANDWHEELS

Material

Aluminium, deburred. Hub machined, rim polished. For corresponding handle details

see no. 75060.

Technical Notes

Produced to DIN 950.

For keyways information (dim. t_1 and b_3) to DIN 6885.

Order No.	Type	Bore dia.	d_1	d_2 tol. H7 Small	d_2 tol. H7 Large	d_3	l_1 ≈	l_2	No. of spokes	Corresp. handle dia.	Weight g
77120.W0000	W/o Keyway, W/o Handle	d_2 Small	80	10	12	24	29	16	3		92
77120.W0001	W/o Keyway, W/o Handle	d_2 Large	80	10	12	24	29	16	3		92
77120.W0005	W/o Keyway, W/o Handle	d_2 Small	100	10	12	26	33	17	3		160
77120.W0006	W/o Keyway, W/o Handle	d_2 Large	100	10	12	26	33	17	3		160
77120.W0010	W/o Keyway, W/o Handle	d_2 Small	125	12	14	28	36	18	3		237
77120.W0011	W/o Keyway, W/o Handle	d_2 Large	125	12	14	28	36	18	3		237
77120.W0015	W/o Keyway, W/o Handle	d_2 Small	140	14	16	30	39	19	3		295
77120.W0016	W/o Keyway, W/o Handle	d_2 Large	140	14	16	30	39	19	3		295
77120.W0020	W/o Keyway, W/o Handle	d_2 Small	160	14	16	32	40	20	3		435
77120.W0021	W/o Keyway, W/o Handle	d_2 Large	160	14	16	32	40	20	3		435
77120.W0030	W/o Keyway, W/o Handle	d_2 Small	200	18	22	38	45	24	3		783
77120.W0031	W/o Keyway, W/o Handle	d_2 Large	200	18	22	38	45	24	3		783
77120.W0040	W/o Keyway, W/o Handle	d_2 Small	250	22	26	45	50	28	5		1509
77120.W0041	W/o Keyway, W/o Handle	d_2 Large	250	22	26	45	50	28	5		1509
77120.W0045	W/o Keyway, W/o Handle	d_2 Small	315	26	30	53	56	33	5		2440
77120.W0046	W/o Keyway, W/o Handle	d_2 Large	315	26	30	53	56	33	5		2440
77120.W0050	W/o Keyway, W/o Handle	d_2 Small	400	30	34	65	63	38	5		3740
77120.W0051	W/o Keyway, W/o Handle	d_2 Large	400	30	34	65	63	38	5		3740
77120.W0100	With Keyway, W/o Handle	d_2 Small	80	10	12	24	29	16	3		99
77120.W0101	With Keyway, W/o Handle	d_2 Large	80	10	12	24	29	16	3		99
77120.W0105	With Keyway, W/o Handle	d_2 Small	100	10	12	26	33	17	3		171
77120.W0106	With Keyway, W/o Handle	d_2 Large	100	10	12	26	33	17	3		171
77120.W0110	With Keyway, W/o Handle	d_2 Small	125	12	14	28	36	18	3		232
77120.W0111	With Keyway, W/o Handle	d_2 Large	125	12	14	28	36	18	3		232
77120.W0115	With Keyway, W/o Handle	d_2 Small	140	14	16	30	39	19	3		309
77120.W0116	With Keyway, W/o Handle	d_2 Large	140	14	16	30	39	19	3		309
77120.W0120	With Keyway, W/o Handle	d_2 Small	160	14	16	32	40	20	3		422
77120.W0121	With Keyway, W/o Handle	d_2 Large	160	14	16	32	40	20	3		422
77120.W0130	With Keyway, W/o Handle	d_2 Small	200	18	22	38	45	24	3		779
77120.W0131	With Keyway, W/o Handle	d_2 Large	200	18	22	38	45	24	3		779
77120.W0140	With Keyway, W/o Handle	d_2 Small	250	22	26	45	50	28	5		1511
77120.W0141	With Keyway, W/o Handle	d_2 Large	250	22	26	45	50	28	5		1511
77120.W0145	With Keyway, W/o Handle	d_2 Small	315	26	30	53	56	33	5		2500
77120.W0146	With Keyway, W/o Handle	d_2 Large	315	26	30	53	56	33	5		2500



HANDWHEELS

Order No.	Type	Bore dia.	d ₁	d ₂ tol. H7 Small	d ₂ tol. H7 Large	d ₃	l ₁ ≈	l ₂	No. of spokes	Corresp. handle dia.	Weight g
77120.W0150	With Keyway, W/o Handle	d ₂ Small	400	30	34	65	63	38	5		3600
77120.W0151	With Keyway, W/o Handle	d ₂ Large	400	30	34	65	63	38	5		3600
77120.W0200	W/o Keyway, Rotating Handle	d ₂ Small	80	10	12	24	29	16	3	16	150
77120.W0201	W/o Keyway, Rotating Handle	d ₂ Large	80	10	12	24	29	16	3	16	150
77120.W0205	W/o Keyway, Rotating Handle	d ₂ Small	100	10	12	26	33	17	3	16	210
77120.W0206	W/o Keyway, Rotating Handle	d ₂ Large	100	10	12	26	33	17	3	16	210
77120.W0210	W/o Keyway, Rotating Handle	d ₂ Small	125	12	14	28	36	18	3	20	340
77120.W0211	W/o Keyway, Rotating Handle	d ₂ Large	125	12	14	28	36	18	3	20	340
77120.W0215	W/o Keyway, Rotating Handle	d ₂ Small	140	14	16	30	39	19	3	20	430
77120.W0216	W/o Keyway, Rotating Handle	d ₂ Large	140	14	16	30	39	19	3	20	430
77120.W0220	W/o Keyway, Rotating Handle	d ₂ Small	160	14	16	32	40	20	3	25	615
77120.W0221	W/o Keyway, Rotating Handle	d ₂ Large	160	14	16	32	40	20	3	25	615
77120.W0230	W/o Keyway, Rotating Handle	d ₂ Small	200	18	22	38	45	24	3	25	970
77120.W0231	W/o Keyway, Rotating Handle	d ₂ Large	200	18	22	38	45	24	3	25	970
77120.W0240	W/o Keyway, Rotating Handle	d ₂ Small	250	22	26	45	50	28	5	32	1885
77120.W0241	W/o Keyway, Rotating Handle	d ₂ Large	250	22	26	45	50	28	5	32	1885
77120.W0245	W/o Keyway, Rotating Handle	d ₂ Small	315	26	30	53	56	33	5	32	2885
77120.W0246	W/o Keyway, Rotating Handle	d ₂ Large	315	26	30	53	56	33	5	32	2885
77120.W0250	W/o Keyway, Rotating Handle	d ₂ Small	400	30	34	65	63	38	5	36	4250
77120.W0251	W/o Keyway, Rotating Handle	d ₂ Large	400	30	34	65	63	38	5	36	4250
77120.W0300	With Keyway, Rotating Handle	d ₂ Small	80	10	12	24	29	16	3	16	150
77120.W0301	With Keyway, Rotating Handle	d ₂ Large	80	10	12	24	29	16	3	16	150
77120.W0305	With Keyway, Rotating Handle	d ₂ Small	100	10	12	26	33	17	3	16	210
77120.W0306	With Keyway, Rotating Handle	d ₂ Large	100	10	12	26	33	17	3	16	210
77120.W0310	With Keyway, Rotating Handle	d ₂ Small	125	12	14	28	36	18	3	20	340
77120.W0311	With Keyway, Rotating Handle	d ₂ Large	125	12	14	28	36	18	3	20	340
77120.W0315	With Keyway, Rotating Handle	d ₂ Small	140	14	16	30	39	19	3	20	430
77120.W0316	With Keyway, Rotating Handle	d ₂ Large	140	14	16	30	39	19	3	20	430
77120.W0320	With Keyway, Rotating Handle	d ₂ Small	160	14	16	32	40	20	3	25	615
77120.W0321	With Keyway, Rotating Handle	d ₂ Large	160	14	16	32	40	20	3	25	615
77120.W0330	With Keyway, Rotating Handle	d ₂ Small	200	18	22	38	45	24	3	25	970
77120.W0331	With Keyway, Rotating Handle	d ₂ Large	200	18	22	38	45	24	3	25	970
77120.W0340	With Keyway, Rotating Handle	d ₂ Small	250	22	26	45	50	28	5	32	1885
77120.W0341	With Keyway, Rotating Handle	d ₂ Large	250	22	26	45	50	28	5	32	1885
77120.W0345	With Keyway, Rotating Handle	d ₂ Small	315	26	30	53	56	33	5	32	2885
77120.W0346	With Keyway, Rotating Handle	d ₂ Large	315	26	30	53	56	33	5	32	2885
77120.W0350	With Keyway, Rotating Handle	d ₂ Small	400	30	34	65	63	38	5	36	4250
77120.W0351	With Keyway, Rotating Handle	d ₂ Large	400	30	34	65	63	38	5	36	4250
77120.W0400	W/o Keyway, Fixed Handle	d ₂ Small	80	10	12	24	29	16	3	16	150
77120.W0401	W/o Keyway, Fixed Handle	d ₂ Large	80	10	12	24	29	16	3	16	150
77120.W0405	W/o Keyway, Fixed Handle	d ₂ Small	100	10	12	26	33	17	3	16	210
77120.W0406	W/o Keyway, Fixed Handle	d ₂ Large	100	10	12	26	33	17	3	16	210
77120.W0410	W/o Keyway, Fixed Handle	d ₂ Small	125	12	14	28	36	18	3	20	340
77120.W0411	W/o Keyway, Fixed Handle	d ₂ Large	125	12	14	28	36	18	3	20	340
77120.W0415	W/o Keyway, Fixed Handle	d ₂ Small	140	14	16	30	39	19	3	20	420
77120.W0416	W/o Keyway, Fixed Handle	d ₂ Large	140	14	16	30	39	19	3	20	420
77120.W0420	W/o Keyway, Fixed Handle	d ₂ Small	160	14	16	32	40	20	3	25	615
77120.W0421	W/o Keyway, Fixed Handle	d ₂ Large	160	14	16	32	40	20	3	25	615
77120.W0430	W/o Keyway, Fixed Handle	d ₂ Small	200	18	22	38	45	24	3	25	970
77120.W0431	W/o Keyway, Fixed Handle	d ₂ Large	200	18	22	38	45	24	3	25	970
77120.W0440	W/o Keyway, Fixed Handle	d ₂ Small	250	22	26	45	50	28	5	32	1860
77120.W0441	W/o Keyway, Fixed Handle	d ₂ Large	250	22	26	45	50	28	5	32	1860
77120.W0445	W/o Keyway, Fixed Handle	d ₂ Small	315	26	30	53	56	33	5	32	2860
77120.W0446	W/o Keyway, Fixed Handle	d ₂ Large	315	26	30	53	56	33	5	32	2860
77120.W0450	W/o Keyway, Fixed Handle	d ₂ Small	400	30	34	65	63	38	5	36	4210
77120.W0451	W/o Keyway, Fixed Handle	d ₂ Large	400	30	34	65	63	38	5	36	4210
77120.W0500	With Keyway, Fixed Handle	d ₂ Small	80	10	12	24	29	16	3	16	150
77120.W0501	With Keyway, Fixed Handle	d ₂ Large	80	10	12	24	29	16	3	16	150
77120.W0505	With Keyway, Fixed Handle	d ₂ Small	100	10	12	26	33	17	3	16	210
77120.W0506	With Keyway, Fixed Handle	d ₂ Large	100	10	12	26	33	17	3	16	210
77120.W0510	With Keyway, Fixed Handle	d ₂ Small	125	12	14	28	36	18	3	20	330
77120.W0511	With Keyway, Fixed Handle	d ₂ Large	125	12	14	28	36	18	3	20	330
77120.W0515	With Keyway, Fixed Handle	d ₂ Small	140	14	16	30	39	19	3	20	420
77120.W0516	With Keyway, Fixed Handle	d ₂ Large	140	14	16	30	39	19	3	20	420
77120.W0520	With Keyway, Fixed Handle	d ₂ Small	160	14	16	32	40	20	3	25	610
77120.W0521	With Keyway, Fixed Handle	d ₂ Large	160	14	16	32	40	20	3	25	610
77120.W0530	With Keyway, Fixed Handle	d ₂ Small	200	18	22	38	45	24	3	25	960



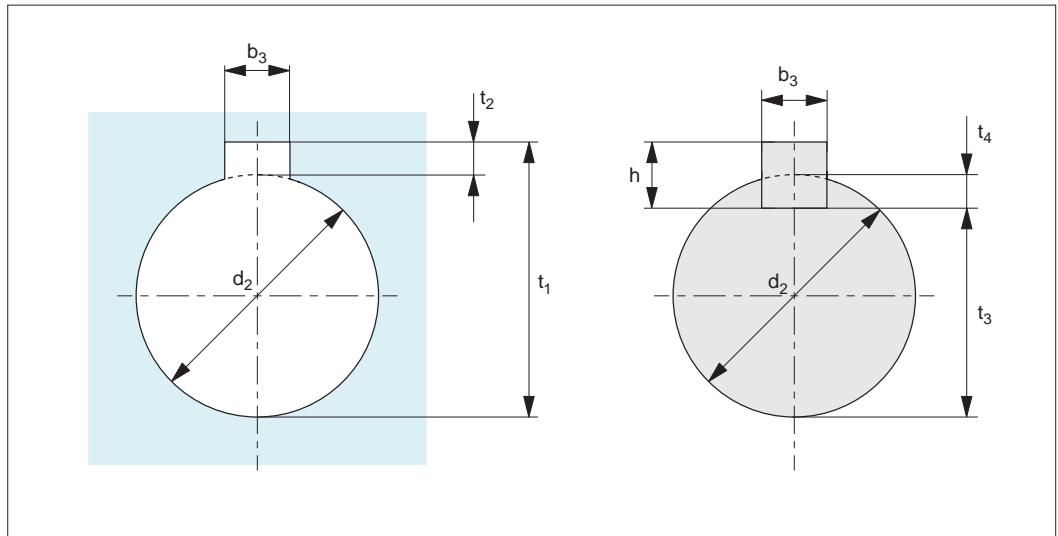
Aluminium Handwheels



Handwheels

Order No.	Type	Bore dia.	d ₁	d ₂ tol. H7 Small	d ₂ tol. H7 Large	d ₃	l ₁ ≈	l ₂	No. of spokes	Corresp. handle dia.	Weight g
77120.W0531	With Keyway, Fixed Handle	d ₂ Large	200	18	22	38	45	24	3	25	960
77120.W0540	With Keyway, Fixed Handle	d ₂ Small	250	22	26	45	50	28	5	32	1860
77120.W0541	With Keyway, Fixed Handle	d ₂ Large	250	22	26	45	50	28	5	32	1860
77120.W0545	With Keyway, Fixed Handle	d ₂ Small	315	26	30	53	56	33	5	32	2860
77120.W0546	With Keyway, Fixed Handle	d ₂ Large	315	26	30	53	56	33	5	32	2860
77120.W0550	With Keyway, Fixed Handle	d ₂ Small	400	30	34	65	65	38	5	36	4210
77120.W0551	With Keyway, Fixed Handle	d ₂ Large	400	30	34	65	65	38	5	36	4210

HANDWHEELS



d_2	$b_{P9/JS9}$ hole	$b_{P9/N9}$ shaft	h	$t_1 = d_2 + t_2$	t_2	$t_3 = d_2 - t_4$	t_4
7	2	2	2	8	1+0,1	5,8	1,2+0,1
8	2	2	2	9	1	6,8	1,2
9	3	3	3	10,4	1,4	7,2	1,8
10	3	3	3	11,4	1,4	8,2	1,8
11	4	4	4	12,8	1,8	8,5	2,5
12	4	4	4	13,8	1,8	9,5	2,5
13	5	5	5	15,3	2,3	10	3
14	5	5	5	16,3	2,3	11	3
15	5	5	5	17,3	2,3	12	3
16	5	5	5	18,3	2,3	13	3
17	5	5	5	19,3	2,3	14	3
18	6	6	6	20,8	2,8	14,5	3,5
20	6	6	6	22,8	2,8	16,5	3,5
22	6	6	6	24,8	2,8	18,5	3,5
24	8	8	7	27,3	3,3+0,2	20	4+0,2
25	8	8	7	28,3	3,3	21	4
26	8	8	7	29,3	3,3	22	4
28	8	8	7	31,3	3,3	24	4
30	8	8	7	33,3	3,3	26	4
32	10	10	8	35,3	3,3	27	5
34	10	10	8	37,3	3,3	29	5
35	10	10	8	38,3	3,3	30	5
36	10	10	8	39,3	3,3	31	5
38	10	10	8	41,3	3,3	33	5
40	12	12	8	43,3	3,3	35	5
42	12	12	8	45,3	3,3	37	5
44	12	12	8	47,3	3,3	39	5