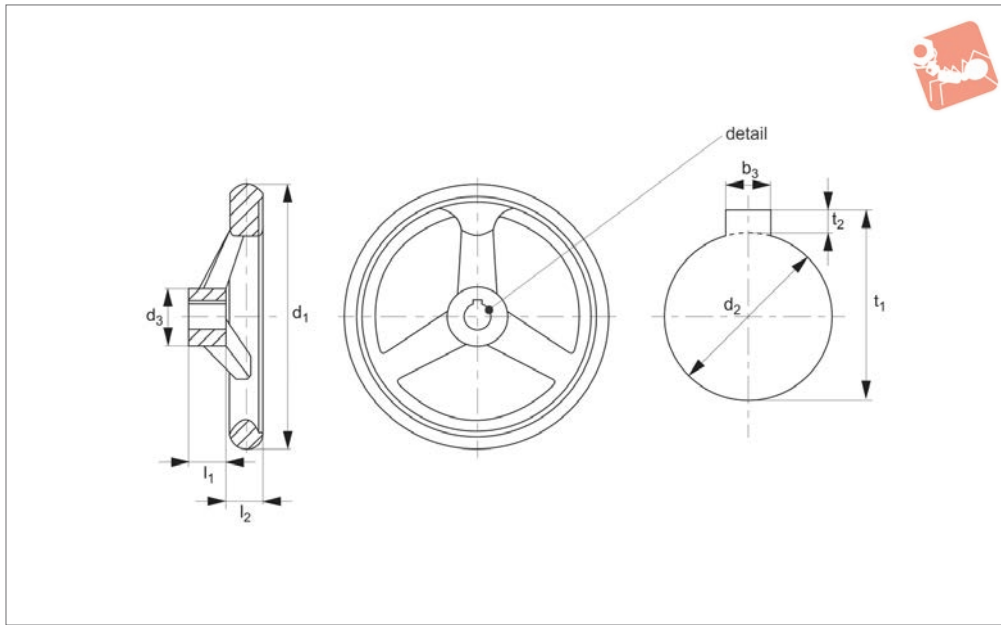




Stainless Steel Handwheels

DIN 950



77140

HANDWHEELS

Material

Stainless steel, deburred.
Hub machined; rim turned and mirror-finished on all sides, non-machined

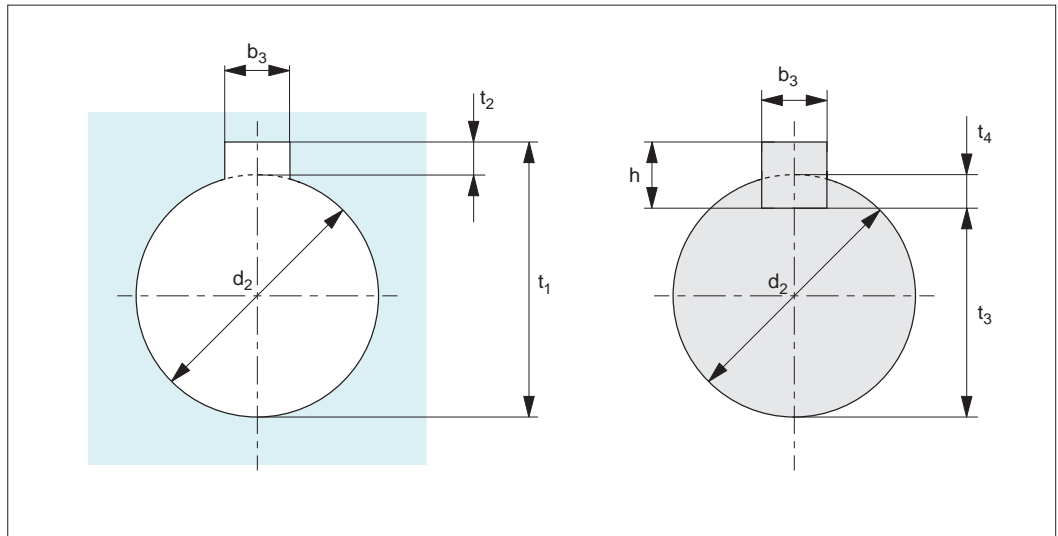
surfaces cleanly blasted.

to DIN 6885.

Technical Notes

For keyways information (dim. t_1 and b_3)

Order No.	Finish	d_1	d_2 tol. h9	d_3	l_1	l_2	No. of spokes	Machine handles dia.	Weight g
77140.W0005	W/o Keyway, W/o Handle	100	10	25.5	17	14.5	3	-	431
77140.W0010	W/o Keyway, W/o Handle	125	12	27.0	18	15.8	3	-	655
77140.W0015	W/o Keyway, W/o Handle	140	14	29.0	19	17.0	3	-	851
77140.W0020	W/o Keyway, W/o Handle	160	14	27.0	18	17.5	3	-	1112
77140.W0030	W/o Keyway, W/o Handle	200	18	37.0	24	20.0	3	-	1877
77140.W0105	With Keyway, W/o Handle	100	10	25.5	17	14.5	3	-	434
77140.W0110	With Keyway, W/o Handle	125	12	27.0	18	15.8	3	-	854
77140.W0115	With Keyway, W/o Handle	140	14	29.0	19	17.0	3	-	854
77140.W0120	With Keyway, W/o Handle	160	14	31.0	20	17.5	3	-	1115
77140.W0130	With Keyway, W/o Handle	200	18	37.0	24	20.0	3	-	1882
77140.W0405	W/o Keyway, With Handle	100	10	25.5	17	14.5	3	16	472
77140.W0410	W/o Keyway, With Handle	125	12	27.0	18	15.8	3	20	748
77140.W0415	W/o Keyway, With Handle	140	14	29.0	19	17.0	3	20	939
77140.W0420	W/o Keyway, With Handle	160	14	31.0	20	17.5	3	25	1273
77140.W0430	W/o Keyway, With Handle	200	18	37.0	24	20.0	3	25	2044
77140.W0505	With Keyway, With Handle	100	10	25.5	17	14.5	3	16	473
77140.W0510	With Keyway, With Handle	125	12	27.0	18	15.8	3	20	753
77140.W0515	With Keyway, With Handle	140	14	29.0	19	17.0	3	20	939
77140.W0520	With Keyway, With Handle	160	14	31.0	20	17.5	3	25	1282
77140.W0530	With Keyway, With Handle	200	18	37.0	24	20.0	3	25	2049



d_2	$b_{P9/JS9}$ hole	$b_{P9/N9}$ shaft	h	$t_1 = d_2 + t_2$	t_2	$t_3 = d_2 - t_4$	t_4
7	2	2	2	8	1+0,1	5,8	1,2+0,1
8	2	2	2	9	1	6,8	1,2
9	3	3	3	10,4	1,4	7,2	1,8
10	3	3	3	11,4	1,4	8,2	1,8
11	4	4	4	12,8	1,8	8,5	2,5
12	4	4	4	13,8	1,8	9,5	2,5
13	5	5	5	15,3	2,3	10	3
14	5	5	5	16,3	2,3	11	3
15	5	5	5	17,3	2,3	12	3
16	5	5	5	18,3	2,3	13	3
17	5	5	5	19,3	2,3	14	3
18	6	6	6	20,8	2,8	14,5	3,5
20	6	6	6	22,8	2,8	16,5	3,5
22	6	6	6	24,8	2,8	18,5	3,5
24	8	8	7	27,3	3,3+0,2	20	4+0,2
25	8	8	7	28,3	3,3	21	4
26	8	8	7	29,3	3,3	22	4
28	8	8	7	31,3	3,3	24	4
30	8	8	7	33,3	3,3	26	4
32	10	10	8	35,3	3,3	27	5
34	10	10	8	37,3	3,3	29	5
35	10	10	8	38,3	3,3	30	5
36	10	10	8	39,3	3,3	31	5
38	10	10	8	41,3	3,3	33	5
40	12	12	8	43,3	3,3	35	5
42	12	12	8	45,3	3,3	37	5
44	12	12	8	47,3	3,3	39	5