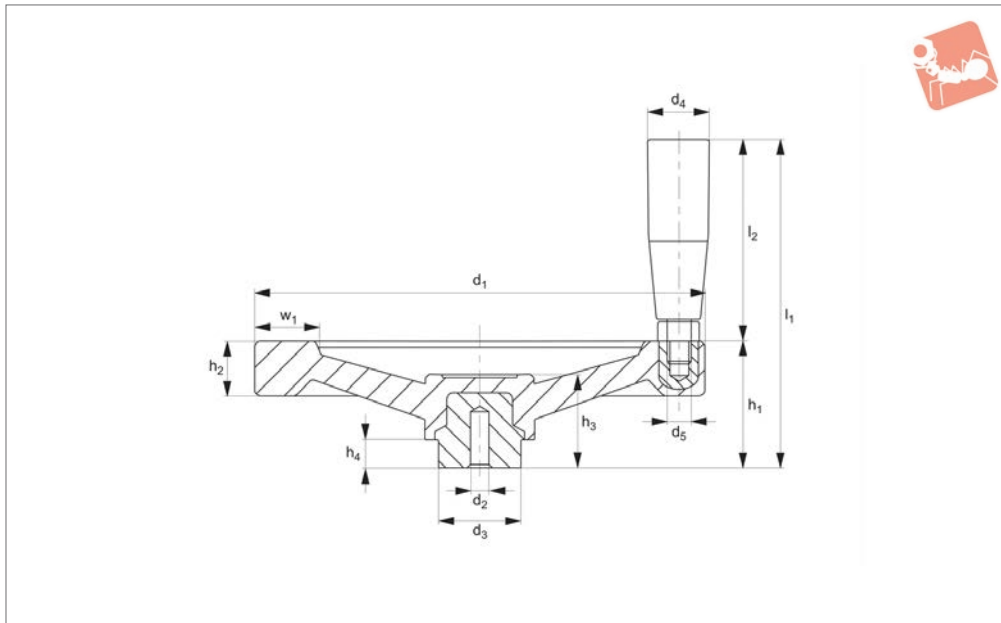




# Two Spoked Handwheels with rotating grip



**77360**

HANDWHEELS

### Material

Black duroplast. Zinc plated steel hub.

keyways etc. to be machined into the hub upon request.

### Technical Notes

The pilot hole allows various sizes of holes,

Order No.	Type	d <sub>1</sub>	d <sub>2</sub>	d <sub>3</sub>	d <sub>4</sub>	d <sub>5</sub>	h <sub>1</sub>	h <sub>2</sub>	h <sub>3</sub>	h <sub>4</sub>	l <sub>1</sub>	l <sub>2</sub>	w <sub>1</sub>	Weight g
<b>77360.W0100</b>	Standard	100	4	24	17	M 8	36	14	30	11	81	40	15	198
<b>77360.W0125</b>	Standard	125	4	24	23	M 8	41	16	34	11	102	55	18	312
<b>77360.W0150</b>	Standard	150	6	32	25	M10	46	20	38	13	117	65	21	525
<b>77360.W0200</b>	Standard	200	6	40	28	M10	62	25	45	16	154	85	26	1070
<b>77360.W0250</b>	Standard	250	8	48	28	M10	70	28	50	17	162	85	30	1628
<b>77360.W0600</b>	Reinforced	100	4	24	17	M 8	36	14	30	11	81	40	15	195
<b>77360.W0625</b>	Reinforced	125	4	24	23	M 8	41	16	34	11	102	55	18	317
<b>77360.W0650</b>	Reinforced	150	6	32	25	M10	46	20	38	13	117	65	21	519
<b>77360.W0700</b>	Reinforced	200	6	40	28	M10	62	25	45	16	154	85	26	1080
<b>77360.W0750</b>	Reinforced	250	8	48	28	M10	70	28	50	17	162	85	30	1662