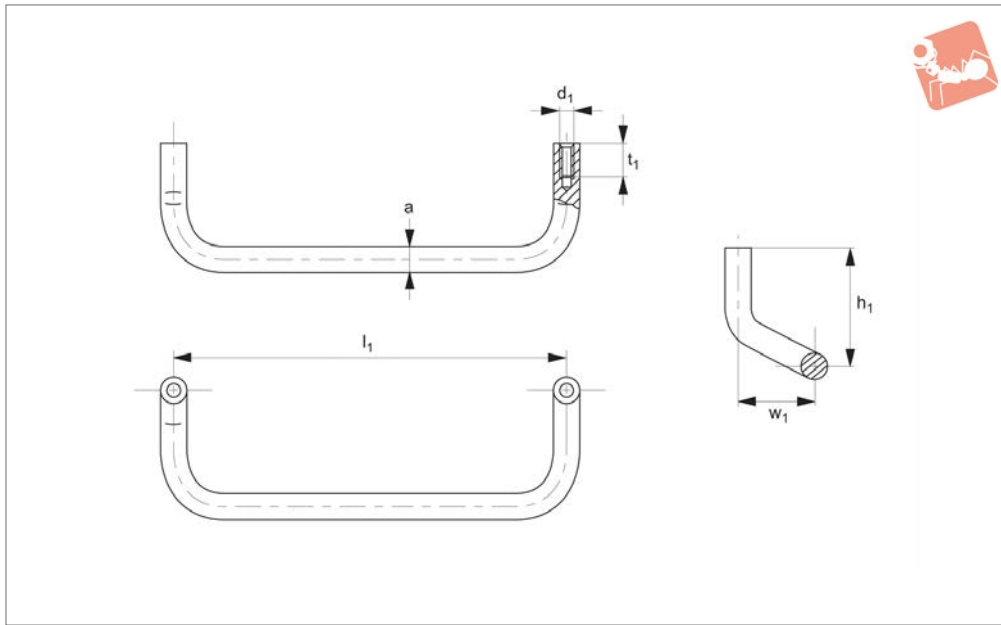




Pull Handles - Offset aluminium



78070

PULL HANDLES

Material

Round aluminium bar, Al Mg Si 0,5. Finish: vibration ground, and anodized with a matt

finish in natural or black colour.

Technical Notes

Minimum stress resistance 500N.

Order No.	Finish	l_1	w_1	h_1	d_1	t_1	a
78070.W0086-1	Natural	86	30	40	M 5	10	10
78070.W0086-4	Black	86	30	40	M 5	10	10
78070.W0120-1	Natural	120	30	40	M 5	10	10
78070.W0120-4	Black	120	30	40	M 5	10	10
78070.W0180-1	Natural	180	30	40	M 5	10	10
78070.W0180-4	Black	180	30	40	M 5	10	10