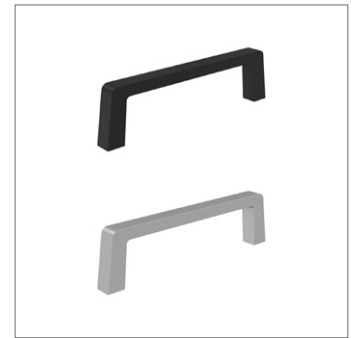
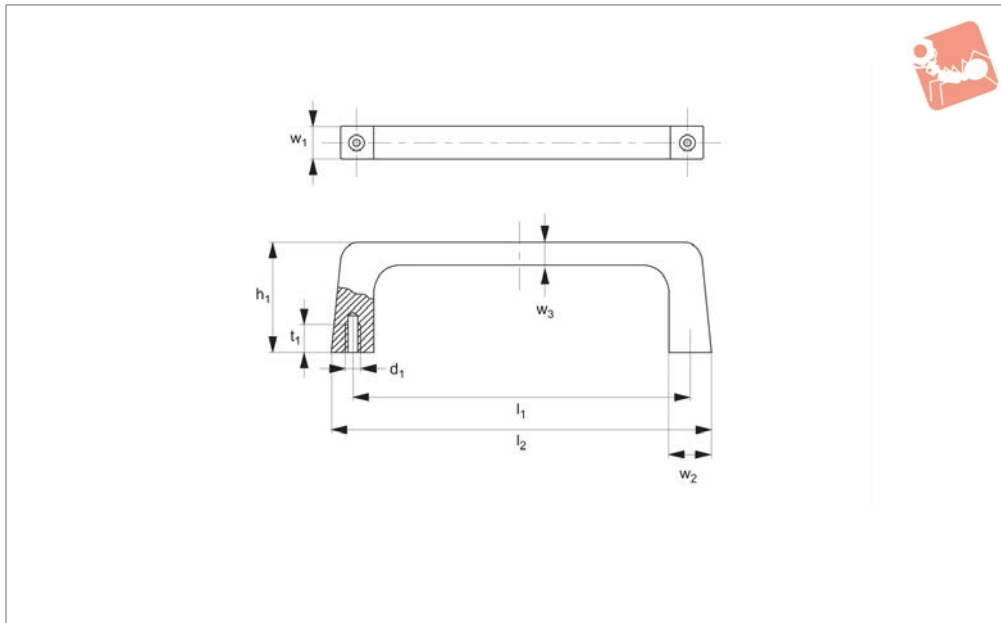




Pull Handles - Aluminium

for 19" drawers and instrument panels



78130

PULL HANDLES

Material

Cut profiled aluminium AIMgSi 0.5.
Finish: anodized with a matt finish in

natural colour or black.

Technical Notes

Minimum stress resistance 500N.

Order No.	Colour	l_1	w_1	h_1	d_1	l_2	t_1	w_2	w_3	Suitable mounting Version	Height of front panel h
78130.W0025-1	Natural	25.0	12	40	M 5	40.0	10	12	5	1	44.0
78130.W0025-4	Black	25.0	12	40	M 5	40.0	10	12	5	1	44.0
78130.W0055-1	Natural	55.0	12	40	M 5	69.0	10	12	8	1	88.1
78130.W0055-4	Black	55.0	12	40	M 5	69.0	10	12	8	1	88.1
78130.W0088-1	Natural	88.0	12	40	M 5	102.0	10	12	8	1	132.5
78130.W0088-4	Black	88.0	12	40	M 5	102.0	10	12	8	1	132.5
78130.W0120-1	Natural	120.0	12	40	M 5	134.0	10	12	8	1	177.0
78130.W0120-4	Black	120.0	12	40	M 5	134.0	10	12	8	1	177.0
78130.W0133-1	Natural	133.4	12	40	M 5	146.5	10	12	8	-	-
78130.W0133-4	Black	133.4	12	40	M 5	146.5	10	12	8	-	-
78130.W0177-1	Natural	177.8	12	40	M 5	191.0	10	12	8	-	-
78130.W0177-4	Black	177.8	12	40	M 5	191.0	10	12	8	-	-
78130.W0180-1	Natural	180.0	12	40	M 5	194.0	10	12	8	1	221.5
78130.W0180-4	Black	180.0	12	40	M 5	194.0	10	12	8	1	221.5
78130.W0235-1	Natural	235.0	12	40	M 5	249.0	10	12	8	1	266.0
78130.W0235-4	Black	235.0	12	40	M 5	249.0	10	12	8	1	266.0
78130.W0251-1	Natural	251.5	12	40	M 5	265.5	10	12	8	2	266.0
78130.W0251-4	Black	251.5	12	40	M 5	265.5	10	12	8	2	266.0
78130.W0588-1	Natural	88.0	12	46	M 5	102.0	10	12	8	1	132.5
78130.W0588-4	Black	88.0	12	46	M 5	102.0	10	12	8	1	132.5
78130.W0620-1	Natural	120.0	12	46	M 5	132.0	10	12	8	2	132.5
78130.W0620-4	Black	120.0	12	46	M 5	132.0	10	12	8	2	132.5

