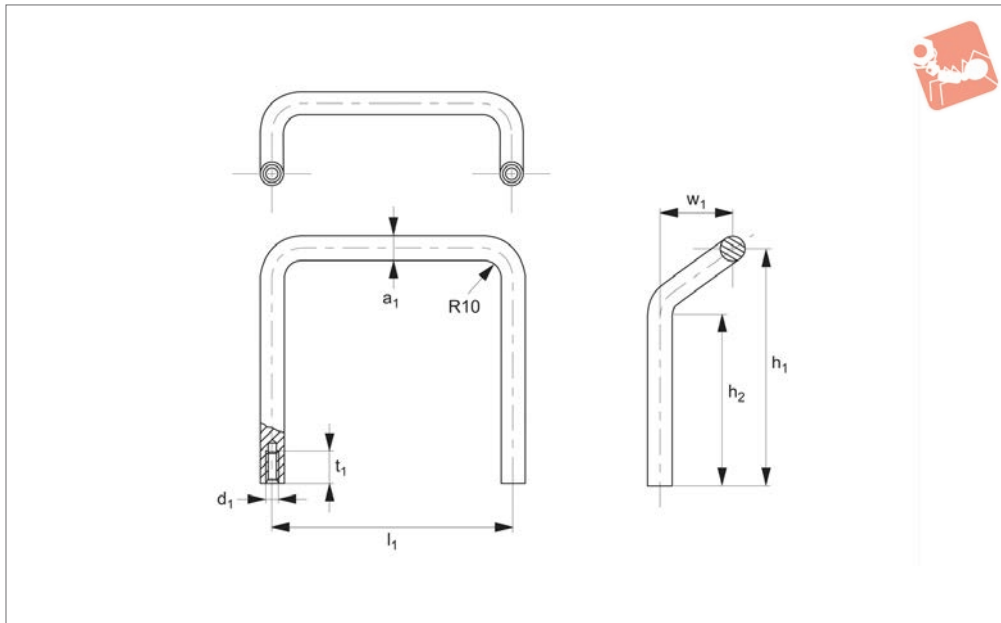




Pull Handles - Offset steel



78780

PULL HANDLES

Material

Round bar steel, 12mm.
Finish: precision-ground and chromium-

plated mirror finish.

Additional sizes or surface versions on request.

Technical Notes

Minimum stress resistance 1000N. Additional

Order No.	l_1	a_1	d_1	h_1	h_2	t_1	w_1
78780.W0060	120	12	M 8	60	27	15	35
78780.W0120	120	12	M 8	120	87	15	35