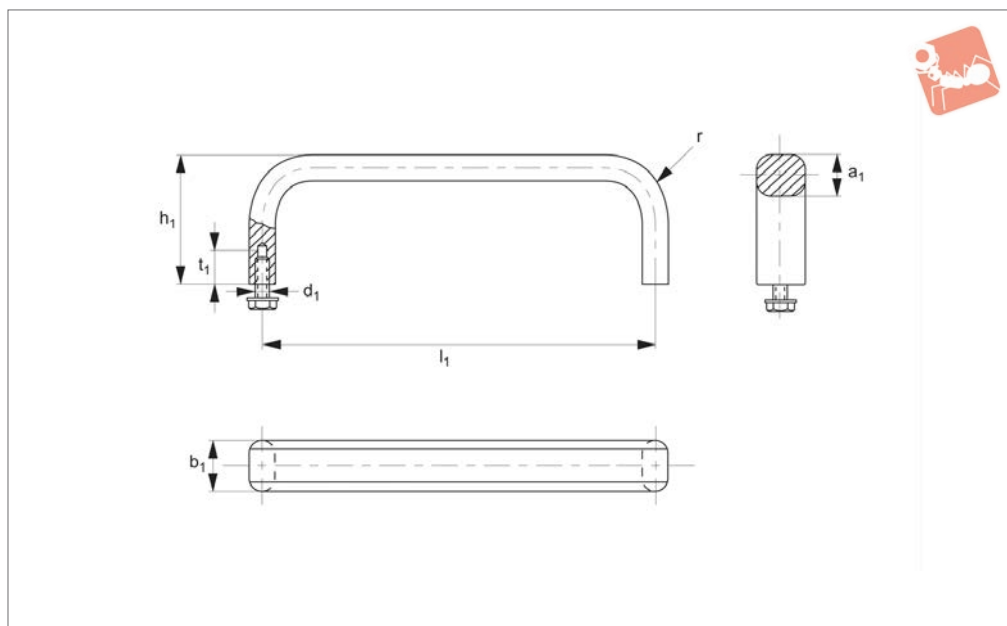




Pull Handles - Oval Type

stainless steel



78920

PULL HANDLES

Material

Stainless steel X12 CrNiS 18 8, 1.4305 (AISI 303).

Finish: vibration ground with a semi-matte finish.

Technical Notes

Supplied with hex screws DIN 933 and suitable washer. Minimum stress resistance >1000N.

Tips

Attractively shaped handles for all applications, with high corrosive and chemical resistance. Other dimensions on request.

Order No.	Type	l_1	a_1	b_1	d_1	h_1	r	t_1
78920.W0010	Narrow	100	8	12.0	M_5x10	40	22	10
78920.W0012	Narrow	120	8	12.0	M_5x10	40	22	10
78920.W0015	Narrow	150	8	12.0	M_5x10	40	22	10
78920.W0018	Narrow	180	8	12.0	M_5x10	40	22	10
78920.W0025	Narrow	250	8	12.0	M_5x10	40	22	10
78920.W0035	Narrow	350	8	12.0	M_5x10	40	22	10
78920.W0110	Wide	100	10	19.5	M_6x12	45	24	12
78920.W0112	Wide	120	10	19.5	M_6x12	45	24	12
78920.W0115	Wide	150	10	19.5	M_6x12	45	24	12
78920.W0118	Wide	180	10	19.5	M_6x12	45	24	12
78920.W0125	Wide	250	10	19.5	M_6x12	45	24	12
78920.W0135	Wide	350	10	19.5	M_6x12	45	24	12