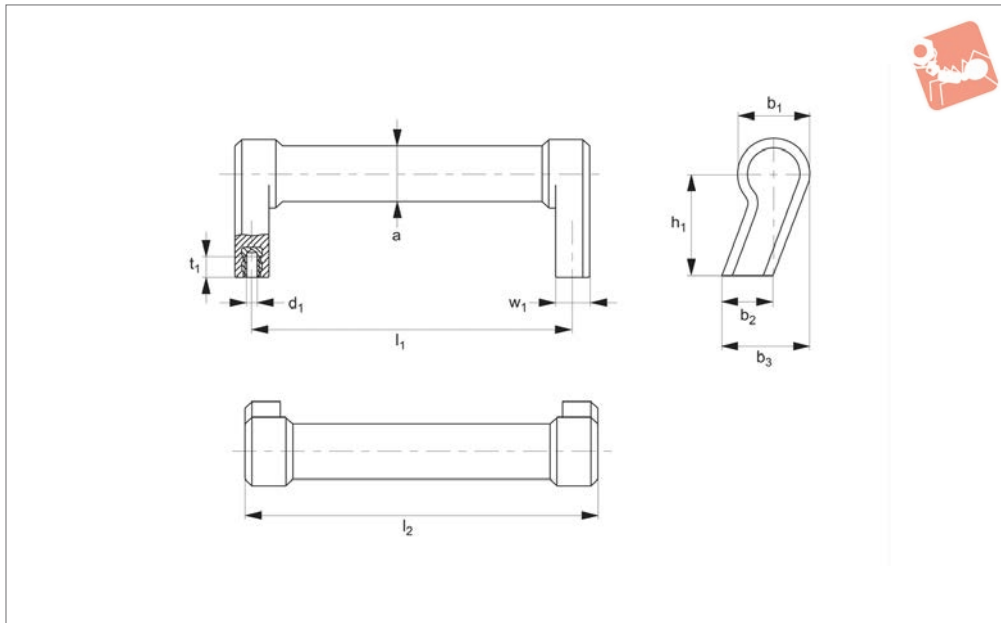




Pull Handle, Angled plastic



79380

PULL HANDLES

Material

Handle of polyamide PA 6, glass ball reinforced with threaded brass bushings.

Black or light grey semi matte with fine-grain structure.

Technical Notes

Stress resistance: min. 1000N.

Order No.	Finish	l_1	l_2	a	b_1	b_2	b_3	d_1	h_1	t_1	w_1
79380.W0140-4	Black	140	155	Ø24	30	22	37	M 6	45	9	15
79380.W0140-7	Light grey	140	155	Ø24	30	22	37	M 6	45	9	15

