

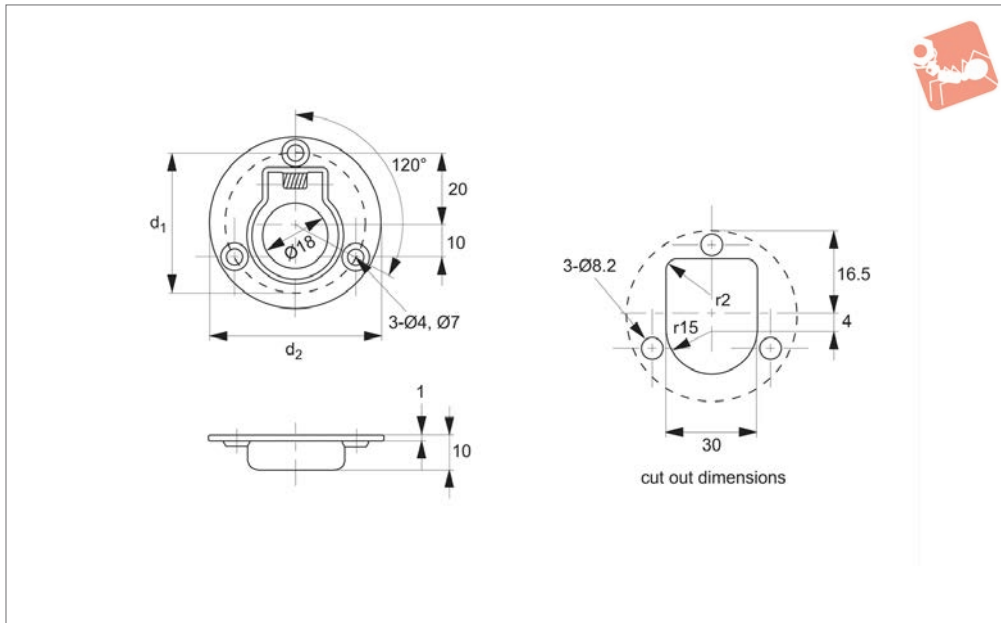


Ring Pulls, Recessed

stainless steel



Pull Handles



79730

PULL HANDLES

Material

AISI 304 stainless steel, polished.

Technical Notes

Supplied with stainless steel screws (3.8x16).

Order No.	d ₁	d ₂	Weight g
79730.W0010	40	50	23

