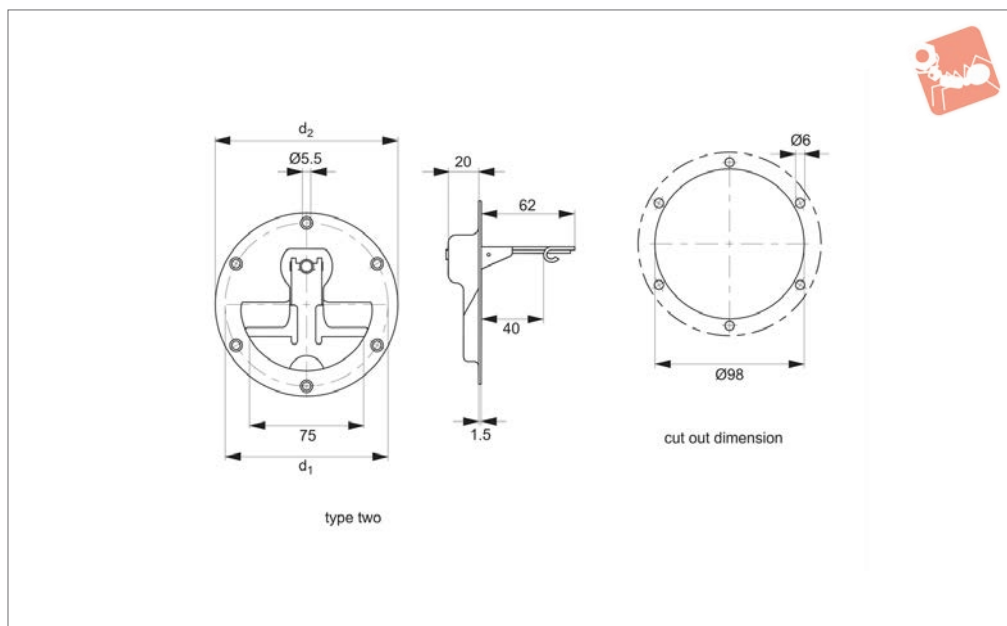




Ring Pulls, Recessed stainless steel



Pull Handles



79740

PULL HANDLES

Material

AISI 304 stainless steel, polished.

returns the handle to its resting position when released.

Technical Notes

Incorporates a pull-back spring which

Order No.	Type	d ₁	d ₂
79740.W0120	Type Two	107	120