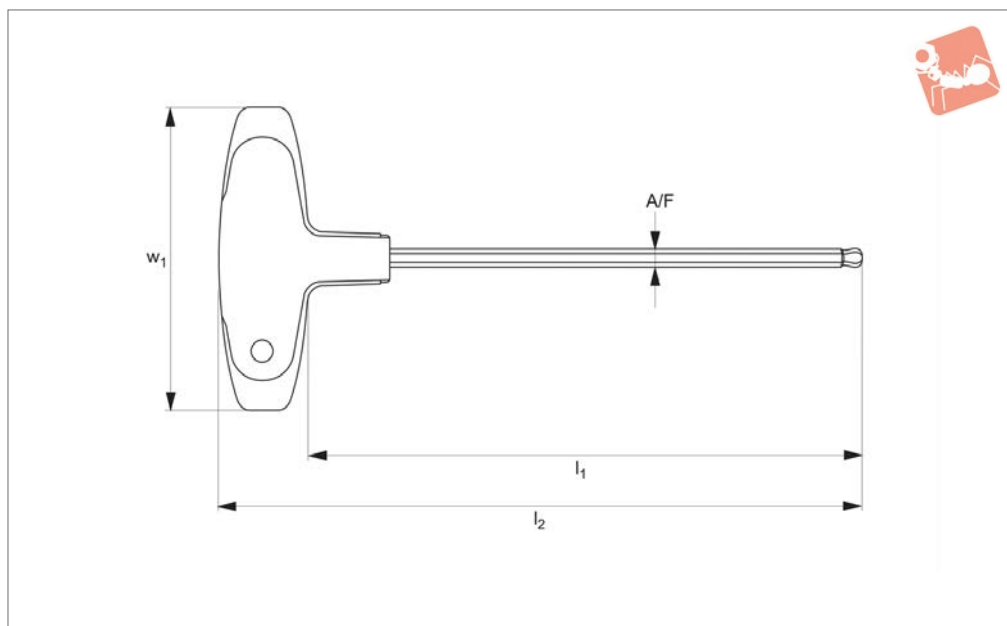




T-handled Hex. Keys ball-ended

Hex Keys & Wrenches



90520

HEX KEYS & WRENCHES

Material

Blade: steel, hardened chrome vanadium,
nickel plated.

Handle: ergonomic soft red plastic handle.

| Order No. | l_1 | l_2 | w_1 | A/F | Weight g |
|-------------|-------|-------|-------|-----|-------------|
| 90520.W0004 | 150 | 175 | 80 | 4 | 40 |
| 90520.W0005 | 150 | 181 | 100 | 5 | 65 |
| 90520.W0006 | 150 | 181 | 100 | 6 | 80 |
| 90520.W0008 | 200 | 231 | 100 | 8 | 130 |