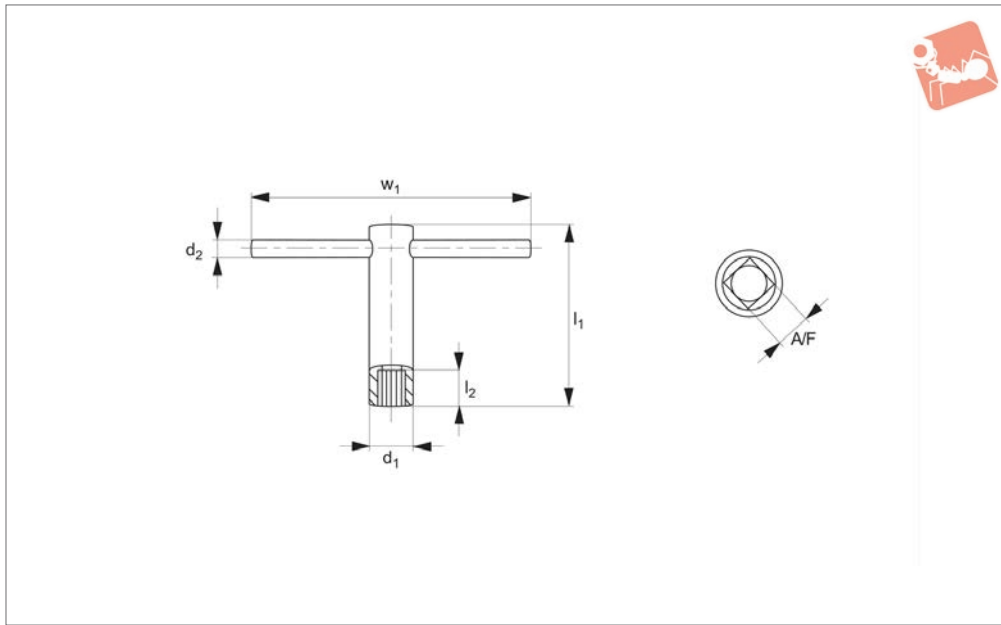




# Square Drive Socket T-Wrench - Long

long - female



### 92010

HEX KEYS & WRENCHES

#### Material

Body: steel (C35/C45).

Socket: tempered, hardened and brown

finish.

#### Technical Notes

Produced to DIN 904L.

Order No.	A/F	d <sub>1</sub>	d <sub>2</sub>	l <sub>1</sub>	l <sub>2</sub>	w <sub>1</sub>	Weight g
92010.W0005	5	12	6.0	120	11	160	100
92010.W0006	6	12	6.0	160	12	160	110
92010.W0008	8	16	9.0	160	15	180	210
92010.W0009	9	18	9.0	200	18	200	390
92010.W0010	10	20	11.0	200	18	200	390
92010.W0012	12	24	12.0	200	21	250	600
92010.W0013	13	24	12.0	200	22	250	600
92010.W0014	14	28	14.6	200	24	320	795
92010.W0017	17	34	16.0	250	28	400	1500
92010.W0019	19	36	16.0	320	30	400	1700