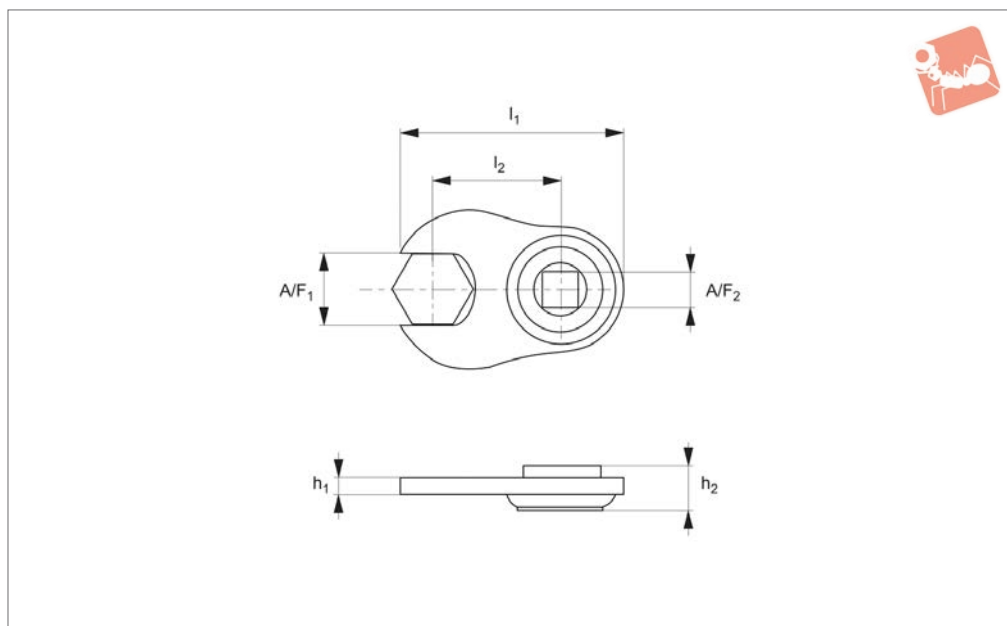




Open Ended Spanner

for use with torque wrench

Spanners & Hook Spanners



92122

SPANNERS & HOOK SPANNERS

Material

Special steel, hardened and zinc-plated.

Technical Notes

Controlled tightening prevents damage to spindle changing tools on machines.

Order No.	A/F ₁	A/F ₂	h ₁	h ₂	l ₁	l ₂	Weight g
92122.W0025	25	1/2"	6	16	78	45	170
92122.W0036	36	1/2"	7	16	101	60	255
92122.W0046	46	1/2"	8	16	108	60	340