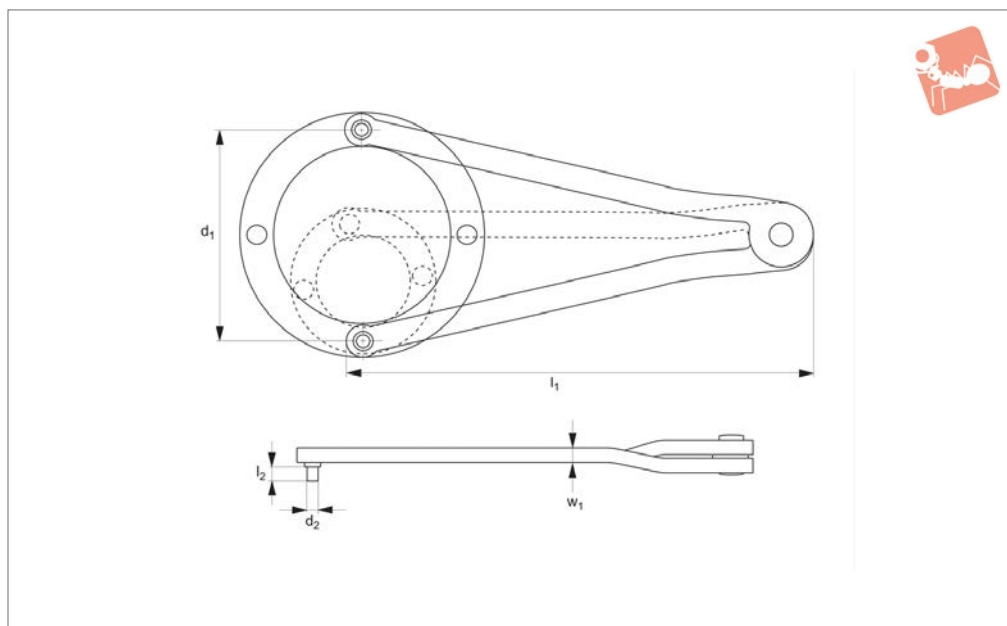




Adjustable Pin Face Spanners with welded pins

Spanners & Hook Spanners



94000.1

SPANNERS & HOOK SPANNERS

Material

Carbon steel (C35/C45), tempered.

Technical Notes

Size 7-40 with riveted pins, from size 11-60 pins electrically welded.

Order No.	d ₁ for nut min. max.	d ₂ -0.1mm tol. h12	l ₁	l ₂	w ₁	Weight g
94000.W0041	7-40	1.5	115	2.0	3	40
94000.W0042	7-40	2.0	115	2.5	3	40
94000.W0043	7-40	2.5	115	3.0	3	40
94000.W0061	11-60	3.0	160	4.0	4	140
94000.W0062	11-60	4.0	160	5.0	4	140
94000.W0063	11-60	5.0	160	6.0	4	140
94000.W0101	14-100	5.0	215	6.0	6	300
94000.W0102	14-100	6.0	215	7.0	6	300
94000.W0103	14-100	8.0	215	8.0	6	300
94000.W0125	22-125	8.0	260	8.0	6	500
94000.W0126	22-125	10.0	260	10.0	6	500
94000.W0127	22-125	12.0	260	12.0	6	500