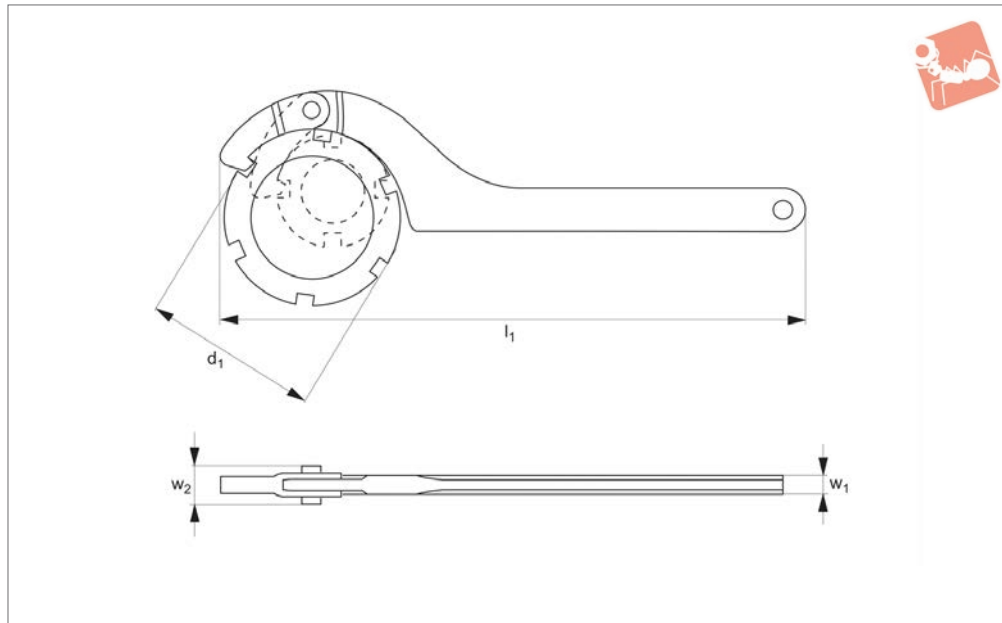




Hook Spanners - with Hook Nose hinge type - long version



95110

Material

Steel (C35/C45), edgewise ground, hardened.

Available in steel (blackened or nickel plated), or stainless steel.

1804, DIN 981 and DIN 11851. Extended hook and shank, strengthened rivet, spring washer.

Rounded edges for better handling.

Tips

The long version spanner allows greater torque to be applied.

Technical Notes

Spanners for adjustment of nuts to DIN

Order No.	Finish	d_1 for nut \varnothing	Thread size of nut DIN 1804 M	Weight g
95110.W0035	Blackened steel	20-35	8-18	85
95110.W0060	Blackened steel	35-60	20-38	170
95110.W0090	Blackened steel	60-90	40-60	360
95110.W0155	Blackened steel	90-155	58-110	610
95110.W0230	Blackened steel	155-230	105-170	1200
95110.W0535	Nickel plated steel	20-35	8-18	85
95110.W0560	Nickel plated steel	35-60	20-38	170
95110.W0590	Nickel plated steel	60-90	40-60	360
95110.W0655	Nickel plated steel	90-155	58-110	610
95110.W0730	Nickel plated steel	155-230	105-170	1200
95110.W0901	Stainless steel	20-35	8-18	85
95110.W0902	Stainless steel	35-60	20-38	170
95110.W0903	Stainless steel	60-90	40-60	360
95110.W0904	Stainless steel	90-155	58-110	580
95110.W0905	Stainless steel	155-230	105-170	1200

Order No.	Thread size of nut DIN 981 M	DIN 11851-F DN	l_1	w_1	w_2
95110.W0035	1-4	-	165	4	10.5
95110.W0060	5-8	-	210	5	12.5
95110.W0090	9-13	-	280	6	14.5
95110.W0155	14-24	-	335	7	17.5
95110.W0230	24-36	-	460	8	17.5
95110.W0535	1-4	-	165	4	10.5
95110.W0560	5-8	-	210	5	12.5
95110.W0590	9-13	-	280	6	14.5
95110.W0655	14-24	-	335	7	17.5
95110.W0730	24-36	-	460	8	17.5
95110.W0901	1-4	-	165	4	10.5
95110.W0902	5-8	Oct-20	210	5	12.5
95110.W0903	9-13	25-40	280	6	14.5



Order No.	Thread size of nut DIN 981 M	DIN 11851-F DN	l_1	w_1	w_2
95110.W0904	14-24	50-100	335	6	17.5
95110.W0905	24-36	125-150	460	8	17.5

We specialise in the non-standard, supplying a range of DIN hand tools from socket wrenches to hook spanners, pin spanners to drill drifts, and beyond. These parts have various applications for DIN and other standard nuts and tooling. **The following pages cross reference the suitability of our hand tools to specific DIN sizings.**

Adjustable Hook Wrenches with Nose

Size	DIN 1804 M	DIN 981 M	DIN 981 KM	DIN 981 KML	DIN 11851-F DN	95420 and 95105
20 - 42	8 - 24	12 - 25	1 - 5	-	10	
45 - 90	26 - 60	30 - 65	6 - 13	-	15 - 50	
95 - 165	62 - 120	75 - 140	15 - 26	24 - 28	65 - 100	

Hook Wrenches

Size	DIN 1804 M	DIN 981 M	DIN 981 KM	DIN 981 KML	DIN 11851-F KMT	DIN 11851-F DN	DIN 70852 M	95100 and 95110
20 - 35	8 - 18	12 - 20	1 - 4	-	0 - 2	-	10 - 20	
35 - 60	20 - 38	25 - 40	5 - 8	-	3 - 7	10 - 20	22 - 42	
60 - 90	40 - 60	45 - 65	9 - 13	-	8 - 12	25 - 40	42 - 70	
90 - 155	58 - 110	70 - 130	14 - 24	24, 26	13 - 24	50 - 100	70 - 125	
155 - 230	105 - 170	120 - 190	24 - 36	26 - 38	24 - 38	125 - 150	125 - 190	

Hook Wrenches DIN 1810B

1810B Size	DIN 1816 M	776 Size	1810B Size	DIN 1816 M	776 Size	95151, 95152, 95450, 95154
16 - 18	6	16 - 22		72	95 - 155	
20 - 22	8	22 - 35	110 - 115	75	95 - 155	
25 - 28	10	22 - 35		80	95 - 155	
30 - 32	12	22 - 35	120 - 130	85	95 - 155	
	14	22 - 35		90	95 - 155	
	16	22 - 35	135 - 145	95	95 - 155	
34 - 36	18	22 - 35		100	95 - 155	
	20	35 - 60		105	95 - 155	
40 - 42	22	35 - 60	155 - 165	110	95 - 155	
	24	35 - 60		115	165 - 230	
	26	35 - 60		120	165 - 230	
45 - 50	28	35 - 60		125	165 - 230	
	30	35 - 60	180 - 195	130	165 - 230	
	32	35 - 60		140	165 - 230	
52 - 55	35	35 - 60	205 - 220	150	165 - 230	
	38	35 - 60		160	165 - 230	
58 - 62	40	60 - 90	230 - 245	170	165 - 230	
	42	60 - 90		180	-	
	45	60 - 90	260 - 270	190	-	
68 - 75	48	60 - 90		200	-	
	50	60 - 90				
	52	60 - 90				
80 - 90	55	60 - 90				
	58	60 - 90				
	60	60 - 90				
95 - 100	62	95 - 155				
	65	95 - 155				
	68	95 - 155				
	70	95 - 155				