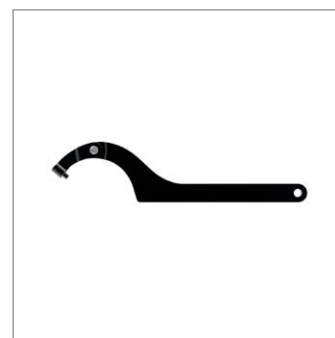
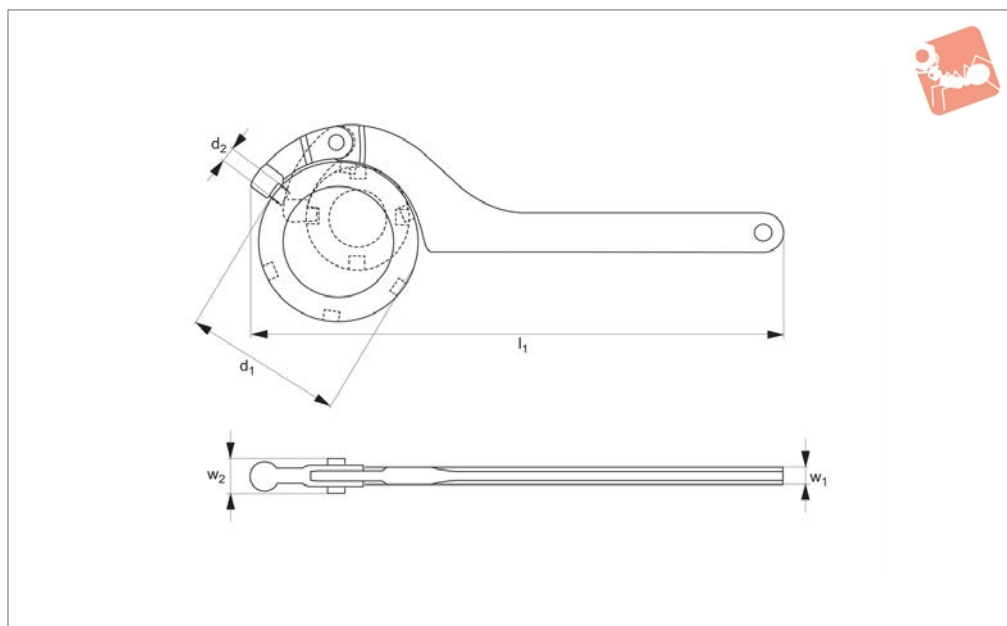




# Hook Spanners - with Pin Nose hinge type - long version

## Spanners & Hook Spanners



**95152**

SPANNERS & HOOK SPANNERS

### Material

Steel (C35/C45), tempered, hardened, blue finish or nickel plated. Edgewise ground.

circumferences to DIN 1816.

Rounded edges for better handling. Sizes 16-22 without retaining ring.

### Technical Notes

For round nuts with set pin holes on outer

### Tips

Longer handle shaft ( $l_1$ ) enables higher torque to be applied.

Order No.	Finish	$d_1$ for nut $\varnothing$	$d_2$	$l_1$	$w_1$	$w_2$	Weight g
95152.W0122	Blackened	16-22	2.5	135	3	7.5	50
95152.W0135	Blackened	22-35	3.0	165	4	10.5	85
95152.W0160	Blackened	35-60	4.0	205	5	12.5	170
95152.W0190	Blackened	60-90	5.0	280	6	14.5	380
95152.W0191	Blackened	60-90	6.0	280	6	14.5	380
95152.W0255	Blackened	95-155	6.0	335	7	17.5	610
95152.W0256	Blackened	95-155	8.0	335	7	17.5	610
95152.W0330	Blackened	165-230	8.0	460	8	17.5	1200
95152.W0331	Blackened	165-230	10.0	460	8	17.5	1200
95152.W0622	Nickel plated	16-22	2.5	135	3	7.5	50
95152.W0635	Nickel plated	22-35	3.0	165	4	10.5	85
95152.W0660	Nickel plated	35-60	4.0	205	5	12.5	170
95152.W0690	Nickel plated	60-90	6.0	280	6	14.5	380
95152.W0755	Nickel plated	95-155	6.0	335	7	17.5	610
95152.W0830	Nickel plated	165-230	10.0	460	8	17.5	1200



Applications and Size Ranges Hook Wrenches DIN 1810A

95400

Size	DIN 1804	DIN 981	DIN 981	DIN 981	KMT	DIN 70852	DIN 11851-F
	M	M	KM	KML		M	DN
12 - 14	-	-	-	-	-	-	-
16 - 20	6 8	-	-	-	-	10	-
25 - 28	10 12	15 17	2 3	-	- 0	- 16	-
30 - 32	14 16	- 20	- 4	-	- 1	- 20	-
34 - 36	18 20	-	-	-	-	- 22	-
38 - 45	26	25 30	5 6	-	-	24 -	10 15
40 - 42	22 24	-	-	-	- 4	26 28	-
45 - 50	26 28 - 30	30 -	6 -	-	-	- 35	-
52 - 55	32 35	35 -	7 -	-	-	-	20
58 - 62	38 40 - 42	40 -	8 -	-	-	- 45	- 25
65 - 70	-	45 50	9 10	-	- 9	48 52	- 32
68 - 75	45 48 - 50	- 55	- 11	-	- 10	50 55	-
80 - 90	52 - 55 58 - 60	60 -	12 -	-	- 12	60 70	-
85 - 92	-	65 70	13 14	-	-	65 -	- 50
95 - 100	62 - 65 68 - 70	-	-	-	13 14	75 80	-
98 - 105	-	75 80	15 16	-	- 15	-	-
110 - 115	72 - 75 80	85 -	17 -	-	- 16	-	65
120 - 130	85 90	90 100	18 20	-	17 19	- 105	-
135 - 145	95 100	110 120	22 -	- 24	20 22	- 115	-
155 - 165	105 - 110 115 - 120	120 - 130 130 - 140	24 26	26 28	24 26	125 135	-
180 - 195	125 - 130 140	140 - 150 150	28 30	30 -	- 32	150 -	-
205 - 220	150 160	- 170 - 190	- 34	- 38	34 -	175 180	-
230 - 245	170 180	180 -	36 -	-	-	190 -	-

Size	DIN 1804	DIN 981	DIN 981			
	M	Tr	HM			
260 - 270	190 200	220x4 210x4	3044 42 T	-	-	-
280 - 300	-	220x4 140x4	44 T 48 T	-	-	-
300 - 320	-	240x4 250x4	48 T 50 T	-	-	-
320 - 345	-	250x4 -	50 T -	-	-	-
350 - 375	-	-	-	-	-	-
380 - 400	-	-	-	-	-	-
480 - 500	-	-	-	-	-	-

We specialise in the non-standard, supplying a range of DIN hand tools from socket wrenches to hook spanners, pin spanners to drill drifts, and beyond. These parts have various applications for DIN and other standard nuts and tooling. **The following pages cross reference the suitability of our hand tools to specific DIN sizings.**

## Adjustable Hook Wrenches with Nose

Size	DIN 1804 M	DIN 981 M	DIN 981 KM	DIN 981 KML	DIN 11851-F DN	95420 and 95105
20 - 42	8 - 24	12 - 25	1 - 5	-	10	
45 - 90	26 - 60	30 - 65	6 - 13	-	15 - 50	
95 - 165	62 - 120	75 - 140	15 - 26	24 - 28	65 - 100	

## Hook Wrenches

Size	DIN 1804 M	DIN 981 M	DIN 981 KM	DIN 981 KML	DIN 11851-F KMT	DIN 11851-F DN	DIN 70852 M	95100 and 95110
20 - 35	8 - 18	12 - 20	1 - 4	-	0 - 2	-	10 - 20	
35 - 60	20 - 38	25 - 40	5 - 8	-	3 - 7	10 - 20	22 - 42	
60 - 90	40 - 60	45 - 65	9 - 13	-	8 - 12	25 - 40	42 - 70	
90 - 155	58 - 110	70 - 130	14 - 24	24, 26	13 - 24	50 - 100	70 - 125	
155 - 230	105 - 170	120 - 190	24 - 36	26 - 38	24 - 38	125 - 150	125 - 190	

## Hook Wrenches DIN 1810B

1810B Size	DIN 1816 M	776 Size	1810B Size	DIN 1816 M	776 Size	95151, 95152, 95450, 95154
16 - 18	6	16 - 22		72	95 - 155	
20 - 22	8	22 - 35	110 - 115	75	95 - 155	
25 - 28	10	22 - 35		80	95 - 155	
30 - 32	12	22 - 35	120 - 130	85	95 - 155	
	14	22 - 35		90	95 - 155	
	16	22 - 35	135 - 145	95	95 - 155	
34 - 36	18	22 - 35		100	95 - 155	
	20	35 - 60		105	95 - 155	
40 - 42	22	35 - 60	155 - 165	110	95 - 155	
	24	35 - 60		115	165 - 230	
	26	35 - 60		120	165 - 230	
45 - 50	28	35 - 60		125	165 - 230	
	30	35 - 60	180 - 195	130	165 - 230	
	32	35 - 60		140	165 - 230	
52 - 55	35	35 - 60	205 - 220	150	165 - 230	
	38	35 - 60		160	165 - 230	
58 - 62	40	60 - 90	230 - 245	170	165 - 230	
	42	60 - 90		180	-	
	45	60 - 90	260 - 270	190	-	
68 - 75	48	60 - 90		200	-	
	50	60 - 90				
	52	60 - 90				
80 - 90	55	60 - 90				
	58	60 - 90				
	60	60 - 90				
95 - 100	62	95 - 155				
	65	95 - 155				
	68	95 - 155				
	70	95 - 155				