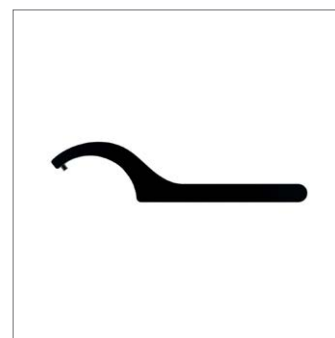
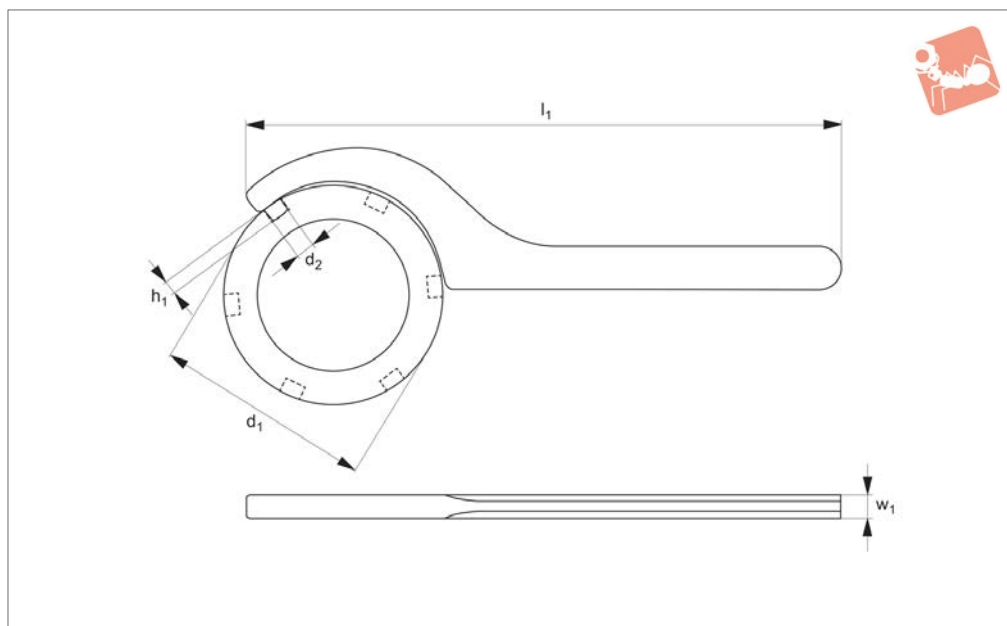




Hook Spanners - with Pin Nose

fixed

Spanners & Hook Spanners



95450

SPANNERS & HOOK SPANNERS

Material

Body: steel (C35/C45), hardened and blackened. Edgewise ground.

including stainless steel models - subject to minimum order quantities.

holes to DIN 1816.

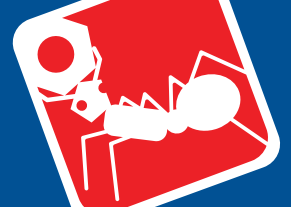
Technical Notes

To DIN 1816. Specials available on request,

Tips

Items marked (), width varies from DIN standard. For round nuts with set pin

| Order No. | d ₁ for nut Ø | d ₂ | l ₁ | w ₁ | h ₁ | Weight g |
|-------------|--------------------------|----------------|----------------|----------------|----------------|----------|
| 95450.W0014 | 12-14 | 2.0 | 110 | 3 | 2.0 | 25 |
| 95450.W0018 | 16-18 | 2.5 | 110 | 3 | 2.5 | 25 |
| 95450.W0022 | 20-22 | 2.5 | 110 | 3 | 2.5 | 25 |
| 95450.W0028 | 25-28 | 3.0 | 136 | 4 | 3.0 | 55 |
| 95450.W0032 | 30-32 | 4.0 | 136 | 4 | 3.0 | 55 |
| 95450.W0036 | 34-36 | 4.0 | 170 | 5 | 3.5 | 100 |
| 95450.W0042 | 40-42 | 4.0 | 170 | 5 | 3.5 | 100 |
| 95450.W0050 | 45-50 | 5.0 | 206 | 6 | 4.0 | 165 |
| 95450.W0055 | 52-55 | 5.0 | 206 | 6 | 4.0 | 165 |
| 95450.W0062 | 58-62 | 5.0 | 240 | 7 | 5.0 | 270 |
| 95450.W0075 | 68-75 | 6.0 | 240 | 7 | 5.0 | 270 |
| 95450.W0090 | 80-90 | 6.0 | 280 | 8 | 6.0 | 410 |
| 95450.W0100 | 95-100 | 8.0 | 280 | 8 | 6.0 | 410 |
| 95450.W0115 | 110-115 | 8.0 | 335 | (8) | 8.0 | 610 |
| 95450.W0130 | 120-130 | 8.0 | 335 | (8) | 8.0 | 610 |
| 95450.W0146 | 135-145 | 8.0 | 380 | (8) | 8.0 | 790 |
| 95450.W0166 | 155-165 | 8.0 | 380 | (8) | 8.0 | 790 |
| 95450.W0196 | 180-195 | 10.0 | 470 | (10) | 8.0 | 1500 |
| 95450.W0221 | 205-220 | 10.0 | 470 | (10) | 8.0 | 1580 |
| 95450.W0246 | 230-245 | 10.0 | 568 | (10) | 10.0 | 2250 |
| 95450.W0271 | 260-270 | 10.0 | 568 | (10) | 10.0 | 2250 |



Applications and Size Ranges Hook Wrenches DIN 1810A

| Size | DIN 1804 | DIN 981 | DIN 981 | DIN 981 | 95400 | | |
|-----------|------------------------|------------------------|----------|----------|----------|------------|----------|
| | M | M | KM | KML | KMT | M | DN |
| 12 - 14 | - | - | - | - | - | - | - |
| 16 - 20 | 6 8 | - | - | - | - | 10 | - |
| 25 - 28 | 10 12 | 15 17 | 2 3 | - | - 0 | 16 | - |
| 30 - 32 | 14 16 | - 20 | - 4 | - | 1 - | 18 20 | - |
| 34 - 36 | 18 20 | - | - | - | - | 22 | - |
| 38 - 45 | 26 | 25 30 | 5 6 | - | - | 24 - | 10 15 |
| 40 - 42 | 22 24 | - | - | - | 4 - | 26 28 | - |
| 45 - 50 | 26 28 - 30 | 30 - | 6 - | - | - | - 35 | - |
| 52 - 55 | 32 35 | 35 - | 7 - | - | - | - | 20 |
| 58 - 62 | 38 40 - 42 | 40 - | 8 - | - | - | 45 | 25 |
| 65 - 70 | - | 45 50 | 9 10 | - | - 9 | 48 52 | - 32 |
| 68 - 75 | 45 48 - 50 | - 55 | - 11 | - | - 10 | 50 55 | - |
| 80 - 90 | 52 - 55 58 - 60 | 60 - | 12 - | - | - 12 | 60 70 | - |
| 85 - 92 | - | 65 70 | 13 14 | - | - | 65 - | - 50 |
| 95 - 100 | 62 - 65 68 - 70 | - | - | - | 13 14 | 75 80 | - |
| 98 - 105 | - | 75 80 | 15 16 | - | - 15 | - | - |
| 110 - 115 | 72 - 75 80 | 85 - | 17 - | - | 16 - | - | 65 |
| 120 - 130 | 85 90 | 90 100 | 18 20 | - | 17 19 | - 105 | - |
| 135 - 145 | 95 100 | 110 120 | 22 - | - 24 | 20 22 | - 115 | - |
| 155 - 165 | 105 - 110 115 - 120 | 120 - 130 130 - 140 | 24 26 | 26 28 | 24 26 | 125 135 | - |
| 180 - 195 | 125 - 130 140 | 140 - 150 150 | 28 30 | 30 - | - 32 | 150 - | - |
| 205 - 220 | 150 160 | - 170 - 190 | - 34 | - 38 | 34 - | 175 180 | - |
| 230 - 245 | 170 180 | 180 - | 36 - | - | - | 190 - | - |

| Size | DIN 1804 | DIN 981 | DIN 981 | | | |
|-----------|------------|----------------|--------------|---|---|---|
| | M | Tr | HM | | | |
| 260 - 270 | 190 200 | 220x4 210x4 | 3044 42 T | - | - | - |
| 280 - 300 | - | 220x4 140x4 | 44 T 48 T | - | - | - |
| 300 - 320 | - | 240x4 250x4 | 48 T 50 T | - | - | - |
| 320 - 345 | - | 250x4 - | 50 T - | - | - | - |
| 350 - 375 | - | - | - | - | - | - |
| 380 - 400 | - | - | - | - | - | - |
| 480 - 500 | - | - | - | - | - | - |

SPANNERS & HOOK SPANNERS

ov-W95400-A-T-range-of-industrial-hand-tools-hook-wrenches-rnh- Updated -27-10-2022



We specialise in the non-standard, supplying a range of DIN hand tools from socket wrenches to hook spanners, pin spanners to drill drifts, and beyond. These parts have various applications for DIN and other standard nuts and tooling. **The following pages cross reference the suitability of our hand tools to specific DIN sizings.**

Adjustable Hook Wrenches with Nose

95420 and 95105

| Size | DIN 1804 M | DIN 981 M | DIN 981 KM | DIN 981 KML | DIN 11851-F DN |
|----------|---------------|--------------|---------------|----------------|-------------------|
| 20 - 42 | 8 - 24 | 12 - 25 | 1 - 5 | - | 10 |
| 45 - 90 | 26 - 60 | 30 - 65 | 6 - 13 | - | 15 - 50 |
| 95 - 165 | 62 - 120 | 75 - 140 | 15 - 26 | 24 - 28 | 65 - 100 |

Hook Wrenches

95100 and 95110

| Size | DIN 1804 M | DIN 981 M | DIN 981 KM | DIN 981 KML | DIN 981 KMT | DIN 11851-F DN | DIN 70852 M |
|-----------|---------------|--------------|---------------|----------------|----------------|-------------------|----------------|
| 20 - 35 | 8 - 18 | 12 - 20 | 1 - 4 | - | 0 - 2 | - | 10 - 20 |
| 35 - 60 | 20 - 38 | 25 - 40 | 5 - 8 | - | 3 - 7 | 10 - 20 | 22 - 42 |
| 60 - 90 | 40 - 60 | 45 - 65 | 9 - 13 | - | 8 - 12 | 25 - 40 | 42 - 70 |
| 90 - 155 | 58 - 110 | 70 - 130 | 14 - 24 | 24, 26 | 13 - 24 | 50 - 100 | 70 - 125 |
| 155 - 230 | 105 - 170 | 120 - 190 | 24 - 36 | 26 - 38 | 24 - 38 | 125 - 150 | 125 - 190 |

Hook Wrenches DIN 1810B

95151, 95152, 95450, 95154

| 1810B Size | DIN 1816 M | 776 Size | 1810B Size | DIN 1816 M | 776 Size |
|------------|------------|----------|------------|------------|-----------|
| 16 - 18 | 6 | 16 - 22 | | 72 | 95 - 155 |
| 20 - 22 | 8 | 22 - 35 | 110 - 115 | 75 | 95 - 155 |
| 25 - 28 | 10 | 22 - 35 | | 80 | 95 - 155 |
| | 12 | 22 - 35 | 120 - 130 | 85 | 95 - 155 |
| 30 - 32 | 14 | 22 - 35 | | 90 | 95 - 155 |
| | 16 | 22 - 35 | 135 - 145 | 95 | 95 - 155 |
| 34 - 36 | 18 | 22 - 35 | | 100 | 95 - 155 |
| | 20 | 35 - 60 | | 105 | 95 - 155 |
| 40 - 42 | 22 | 35 - 60 | 155 - 165 | 110 | 95 - 155 |
| | 24 | 35 - 60 | | 115 | 165 - 230 |
| 45 - 50 | 26 | 35 - 60 | | 120 | 165 - 230 |
| | 28 | 35 - 60 | | 125 | 165 - 230 |
| | 30 | 35 - 60 | 180 - 195 | 130 | 165 - 230 |
| 52 - 55 | 32 | 35 - 60 | | 140 | 165 - 230 |
| | 35 | 35 - 60 | 205 - 220 | 150 | 165 - 230 |
| | 38 | 35 - 60 | | 160 | 165 - 230 |
| 58 - 62 | 40 | 60 - 90 | 230 - 245 | 170 | 165 - 230 |
| | 42 | 60 - 90 | | 180 | - |
| 68 - 75 | 45 | 60 - 90 | 260 - 270 | 190 | - |
| | 48 | 60 - 90 | | 200 | - |
| | 50 | 60 - 90 | | | |
| | 52 | 60 - 90 | | | |
| 80 - 90 | 55 | 60 - 90 | | | |
| | 58 | 60 - 90 | | | |
| | 60 | 60 - 90 | | | |
| 95 - 100 | 62 | 95 - 155 | | | |
| | 65 | 95 - 155 | | | |
| | 68 | 95 - 155 | | | |
| | 70 | 95 - 155 | | | |