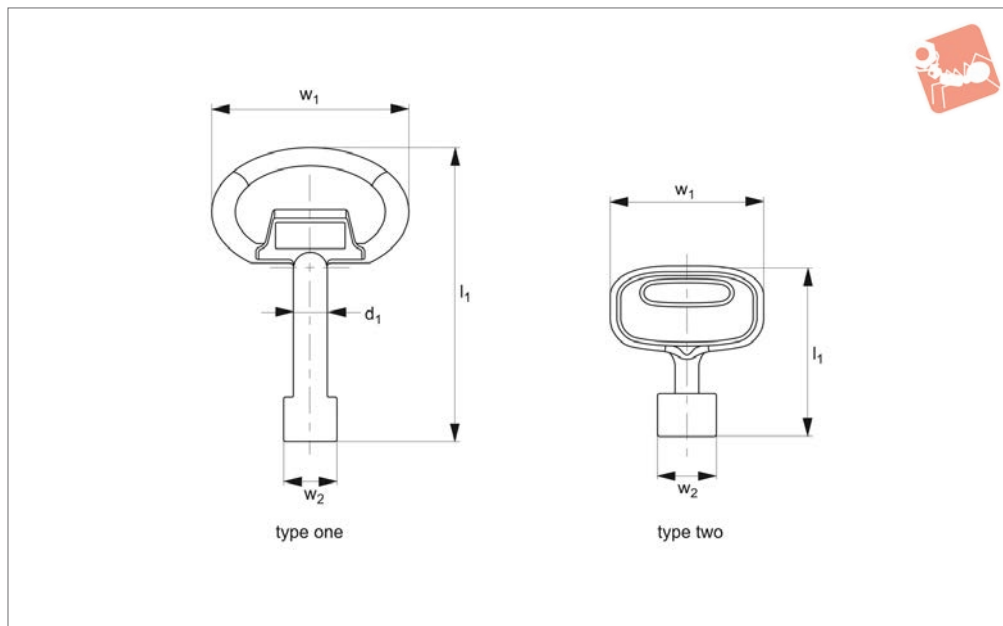




Keys - Flexi-System for cam latches and locks - zinc

Cam Latch Accessories



A0102

CAM LATCH ACCESSORIES

Material

Die cast zinc.

Technical Notes

Keys for our range of cam latches. For slot

type cam latches no special key required - simply use flat head screwdriver.

Note: For part A1661.AW0006 (Square 6) use key A0102.AW0206 only.

Important Notes

Sold subject to pack quantity.

Order No.	Insert driver	Type	d ₁	l ₁	w ₁	w ₂
A0102.AW0006	Square 6	Type One	9	74.5	49	13.8
A0102.AW0010	Square 7	Type One	9	74.5	49	13.8
A0102.AW0020	Square 8	Type One	9	74.5	49	13.8
A0102.AW0040	Triangle 7	Type One	9	74.5	49	13.8
A0102.AW0050	Triangle 8	Type One	9	74.5	49	13.8
A0102.AW0055	Triangle 9	Type One	9	74.5	49	13.8
A0102.AW0060	3mm Double Bit	Type One	9	70.0	49	13.2
A0102.AW0070	4mm Double Bit	Type One	9	74.5	49	13.8
A0102.AW0090	8mm Hex Pin	Type One	9	74.5	49	13.8
A0102.AW0100	10mm Hex Socket	Type One	9	74.5	49	13.8
A0102.AW0206	Square 6	Type two	9	32.0	30	11.0

Available insert drivers:

Square 6	Square 7	Square 8	Triangle 7	Triangle 8	Triangle 9	3-5mm Double Bit	Hexagon 8 with pin	10mm Hex Socket	2 x 4mm Slotted
6	7	8	6.5	8	9	Ø 3-5	8	10	