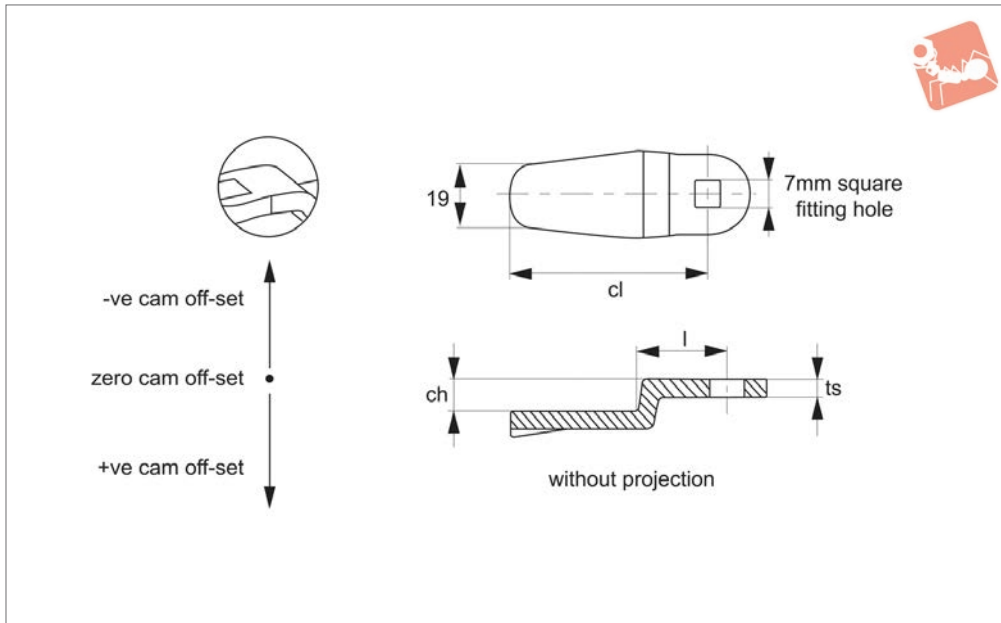




Single Point Cams - Flexi-System - 7 x for cam latches and locks - steel

Cam Latch Accessories



A0215

CAM LATCH ACCESSORIES

Material

Steel, zinc plated.

Technical Notes

Use formula to calculate ch (required cam off-set), and select from product table below;

$ch = h - lh$ where;

ch = required cam off-set/height.

h = grip length (distance between inside of latch face and front of cam).

lh = body length of cam latch/lock to be used (see individual latch/lock product

table).

Refer to installation drawing below.

Important Notes

See cam selection chart for specific latch/lock suitability.

Sold subject to pack quantity.

Order No.	Type	ch	cl	ts	Where lh = 18 h =
A0215.AW5400	W/o Projection	0	45	3	18
A0215.AW5402	W/o Projection	2	45	3	20
A0215.AW5404	W/o Projection	4	45	3	22
A0215.AW5406	W/o Projection	6	45	3	24
A0215.AW5407	W/o Projection	7	45	3	25
A0215.AW5408	W/o Projection	8	45	3	26
A0215.AW5410	W/o Projection	10	45	3	28
A0215.AW5412	W/o Projection	12	35	3	30
A0215.AW5414	W/o Projection	14	45	3	32
A0215.AW5417	W/o Projection	17	45	3	35
A0215.AW5416	W/o Projection	16	45	3	34
A0215.AW5418	W/o Projection	18	45	3	36
A0215.AW5420	W/o Projection	20	45	3	38
A0215.AW5305	W/o Projection	5	35	3	23
A0215.AW5306	W/o Projection	6	35	3	24
A0215.AW5310	W/o Projection	10	35	3	28
A0215.AW5312	W/o Projection	12	35	3	30
A0215.AW5315	W/o Projection	15	35	3	33
A0215.AW5320	W/o Projection	20	35	3	38

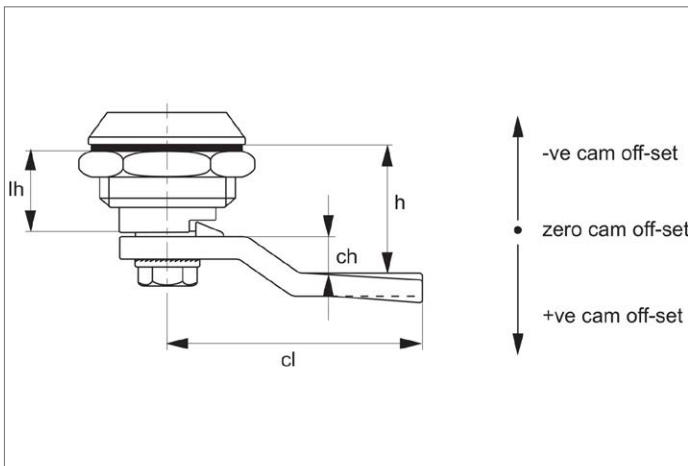
Order No.	Where lh = 18,5 h =	Where lh = 20 h =	Where lh = 24 h =	Where lh = 30 h =	Where lh = 40 h =	Where lh = 50 h =	Where lh = 60 h =
A0215.AW5400	18.5	20	24	30	40	50	60
A0215.AW5402	20.5	22	26	32	42	52	62
A0215.AW5404	22.5	24	28	34	44	54	64
A0215.AW5406	24.5	26	30	36	46	56	66
A0215.AW5407	25.5	27	31	37	47	57	67
A0215.AW5408	26.5	28	32	38	48	58	68
A0215.AW5410	28.5	30	34	40	50	60	70
A0215.AW5412	30.5	32	36	42	52	62	72
A0215.AW5414	32.5	34	38	44	54	64	74



Order No. Where lh = 18,5 h =Where lh = 20 h =Where lh = 24 h =Where lh = 30 h =Where lh = 40 h =Where lh = 50 h =Where lh = 60 h =

A0215.AW5417	35.5	37	41	47	57	67	77
A0215.AW5416	34.5	36	40	46	56	66	76
A0215.AW5418	36.5	38	42	48	58	68	78
A0215.AW5420	38.5	40	44	50	60	70	80
A0215.AW5305	23.5	25	29	35	45	55	65
A0215.AW5306	24.5	26	30	36	46	56	66
A0215.AW5310	28.5	30	34	40	50	60	70
A0215.AW5312	30.5	32	36	42	52	62	72
A0215.AW5315	33.5	35	39	45	55	65	75
A0215.AW5320	38.5	40	44	50	60	70	80

CAM LATCH ACCESSORIES





Wixroyd Cam Latches, Locks and Swing Handles

cam selection chart

Cam Latches and Locks

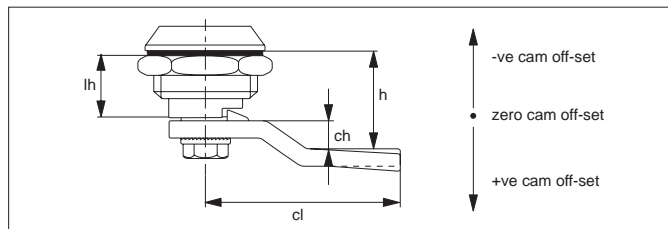
CAM LATCH ACCESSORIES

Suitable With Projection Cams				
Compatible cam no.	A0261	A0203	A0210	A0240
Cam fitting hole	6 x 6 square 	8 x 8 square 	8 x 8 square 	8 x 8 square
Cam latch / lock no.	A1261 / A1281 / A2390	A2503 / A2504 A2523 / A2528	A2503 / A2504 A2523 / A2528	A2503 / A2504 A2523 / A2528

Suitable Without Projection Cams Table 1				
Compatible cam no.	A0203	A0210	A0240	A0243
Cam fitting hole	8 x 8 square 	8 x 8 square 	8 x 8 square 	8 x 8 square
Cam latch / lock no.	A1003 / A1021 / A1103 A1161 / A1168 / A1181 A1203 / A1210 / A1251 A1601 / A1620 / A1801 A2001 / A2203 / A2326 A2333 / A2392 / A2526 A4221 / A4241 / A4260 B1082 / B1086 / B1088 B1091 / B1092 / B1180 B1281 / B1285 / B1380 B1450 / B2091 / B2181	A1003 / A1021 / A1103 A1161 / A1168 / A1181 A1203 / A1210 / A1251 A1601 / A1620 / A1801 A2001 / A2203 / A2326 A2333 / A2392 / A2526 A4221 / A4241 / A4260 B1082 / B1086 / B1088 B1091 / B1092 / B1180 B1281 / B1285 / B1380 B1450 / B2091 / B2181	A1003 / A1021 / A1103 A1161 / A1168 / A1181 A1203 / A1210 / A1251 A1601 / A1620 / A1801 A2001 / A2203 / A2326 A2333 / A2392 / A2526 A4221 / A4241 / A4260 B1082 / B1086 / B1088 B1091 / B1092 / B1180 B1281 / B1285 / B1380 B1450 / B2091 / B2181	A1003 / A1021 / A1103 A1161 / A1168 / A1181 A1203 / A1210 / A1251 A1601 / A1620 / A1801 A2001 / A2203 / A2326 A2333 / A2392 / A2526 A4221 / A4241 / A4260 B1082 / B1086 / B1088 B1091 / B1092 / B1180 B1281 / B1285 / B1380 B1450 / B2091 / B2181

Suitable Without Projection Cams Table 2					
Compatible cam no.	A0250	A0234	A0215	A0231	A0233
Cam fitting hole	5 x 5 square 	6,3 dia. x 4,9 	7 x 7 square 	8 x 10 dia. 	8 x 10 dia.
Cam latch / lock no.	A4600 / A4620	A1661 / A1667	B2082 / B2084 / B2086 B2088 / B2285 / B2380	A1603 / A1611 A1630 / A1810	A1603 / A1611 A1630 / A1810

Calculation of correct cam off-set



Cam off-set

Use the formula to calculate your correct cam off-set:

$$ch = h - lh$$

ch = the required cam off-set.
h = distance between inside of lock face and front of cam (also referred to as "grip length").
lh = length of cam body to be used (refer to individual cam body data sheets).

Cam Off-Set (dimension ch)

To ensure your cam fully and correctly engages with the frame of your door the correct cam off-set must be selected. A cam off-set can be either negative (-ve) or positive (+ve).

Cam Length (dimension cl)

Impacts reach of the cam to door frame and hence impacts positioning of cam body for installation. Cam length or reach is measured from the centre of the cam fixing hole to the cam's leading edge. Refer to individual cam body datasheets.