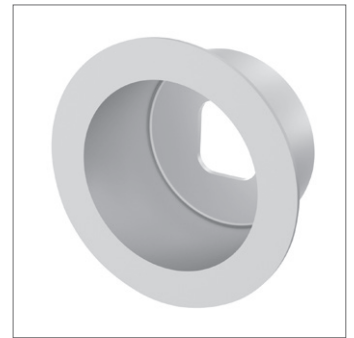
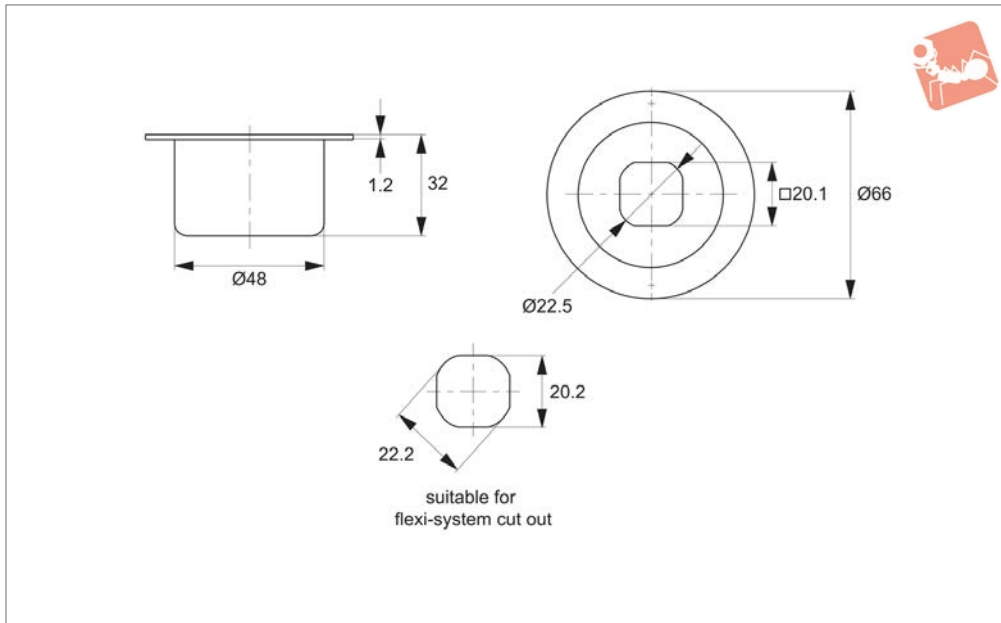




Recessed Spacer - for Isolation Panels

for flexi-system cam latches and locks - steel

Cam Latch Accessories



A0420

CAM LATCH ACCESSORIES

Material

Body: steel, zinc plated.

Technical Notes

For use on isolation panels and other thick doors, enables near flush fitting of cam

latch or lock through recessed fixing of the cam body.

Tips

Suitable for all our Flexi-System cam latches and locks with a 22,2 dia. installa-

tion cut out.

Especially suited to our extended body latch no. A1250.

Important Notes

Sold subject to pack quantity.

Order No.
A0420.AW0022

To suit flexi-system latch
22,2 Dia. Installation Cut Out

