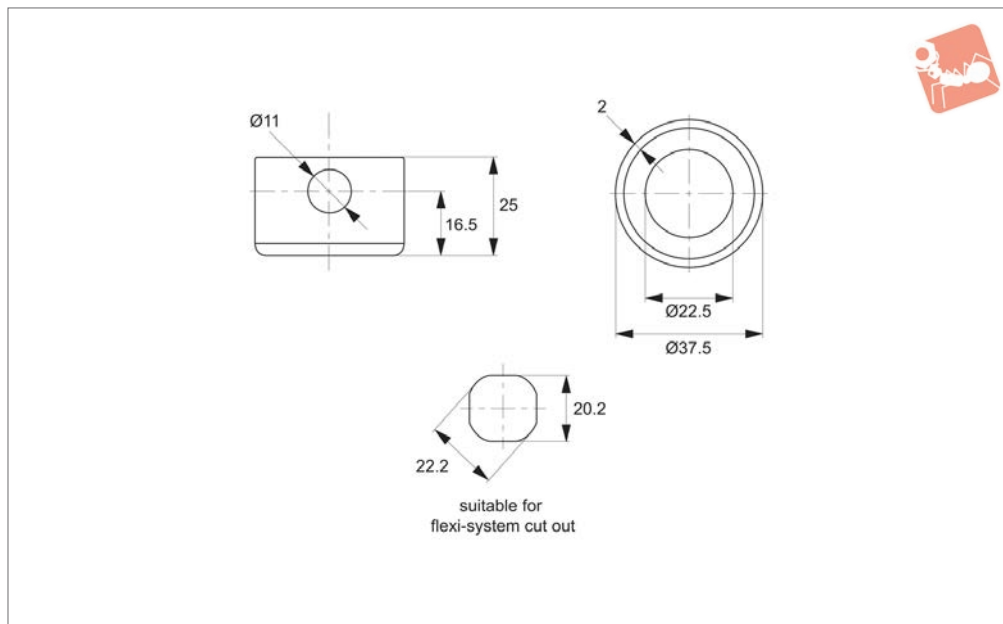




Padlock Converter

for flexi-system cam latches and locks - stainless

Cam Latch Accessories



A0440

CAM LATCH ACCESSORIES

Material

Steel, black coated or stainless AISI 304.

Technical Notes

Prevents access to the fastener. Can be locked with a suitable padlock (max shackle

dia. 11mm). Alternatively use 2 fasteners and a steel bar to prevent actuation of lock.

Tips

For use with flexi-system cut out. Installs

under the latch. Note when converter used the cam latch useful body length „lh“ is reduced by 2mm. This is important in relation to selection of suitable cam.

Order No.

A0440.AW0010
A0440.AW0020

Material

Steel - Black Coated
Stainless Steel

