

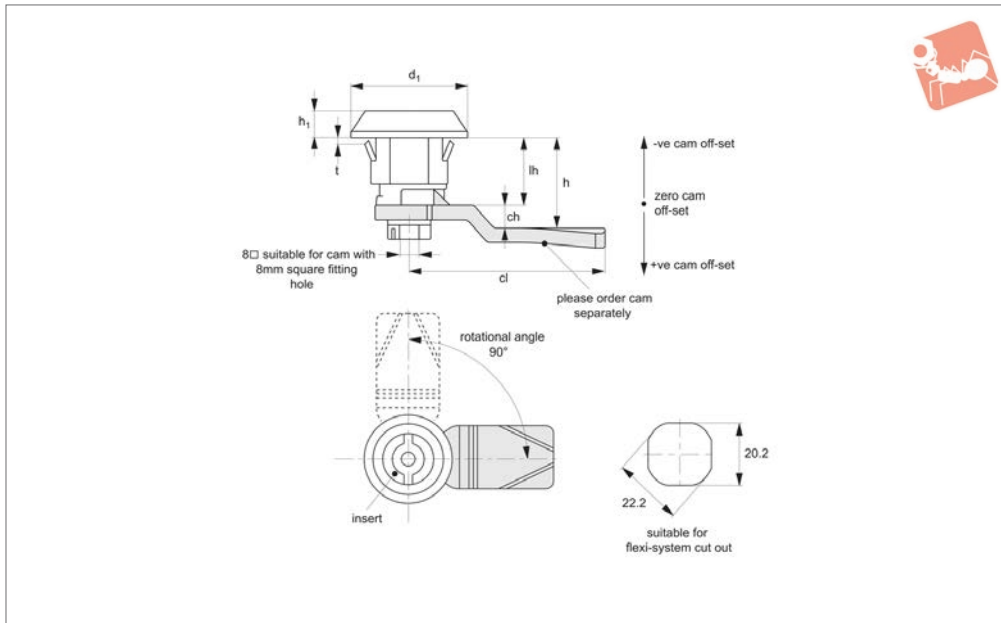


Cam Latches - Snap in - Flexi-System

Fixed grip, polyamide



Cam Latches



A1004

CAM LATCHES

Material

Body: PA plastic.

Insert: Die cast zinc.

Supplied with: Nut: steel, zinc plated.

Sealing washer: PU and rubber.

Not supplied: CAM nor KEY - order separately.

Technical Notes

Order cam and key separately.

Cams: see suitable cam A0203, A0224 and A0240. Select „with projection“ cam type. Dimensions ch and cl relate to cam. Use formula to calculate ch (required cam off-set), and refer to cam selection chart; $ch = h - lh$ where; $ch =$ required cam off-set/height. $h =$ grip length (distance between inside of latch face and front of cam).

$lh =$ body length of cam latch/lock to be used (see product table below). Suitable for panel thickness 0,8-1,5mm. **Keys:** see A0102.

Tips

Easy snap on fix mounting. Make cut out in panel as shown, and simply push in handle, snap on clips will spring back to securely mount handle.

Order No.	Insert driver	d_1	h_1	t	lh
A1004.AW0020	Square 8	Ø30	7.5	0,8-1,5	18
A1004.AW0075	5mm Double Bit	Ø30	7.5	0,8-1,5	18

