

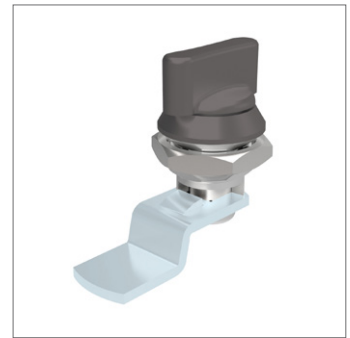
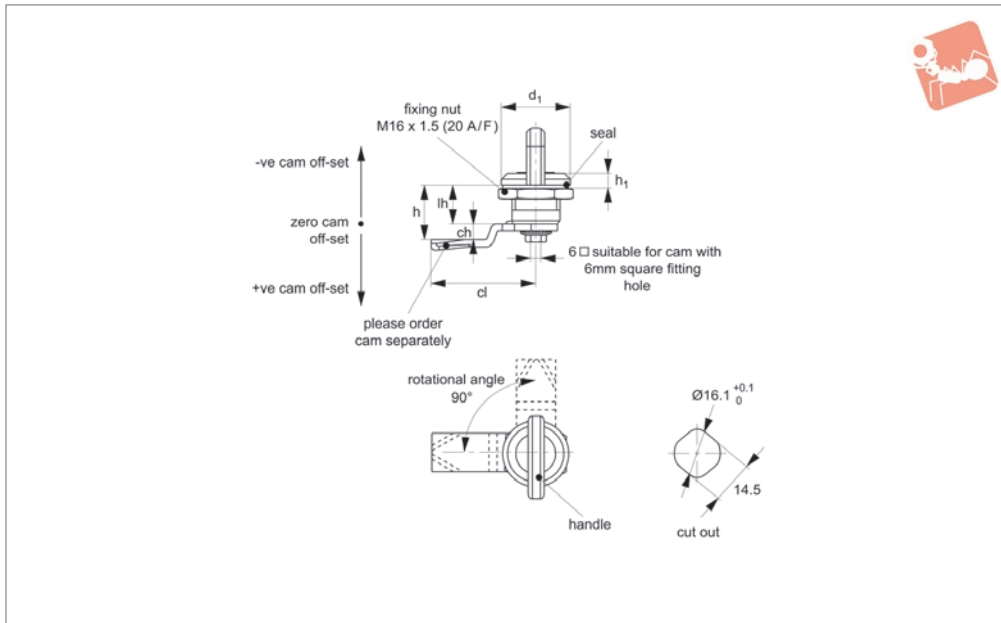


# Mini Cam Latches

wing handle - fixed grip - zinc



## Cam Latches



# A1281

CAM LATCHES

### Material

Body & insert: die cast zinc, chrome plated or black powder coated.

Handle: black plastic, PA6.

**Not supplied:** CAM - order separately.

### Technical Notes

Order cam separately.

**Cams:** see suitable cam A0261. Select „with projection“ cam type to prevent cam

rotating over 45°.

Dimensions ch and cl relate to cam. Use formula to calculate ch (required cam off-set), and refer to cam selection chart;

**ch = h - lh** where;

**ch** = required cam off-set/height.

**h** = grip length (distance between inside of latch face and front of cam).

**lh** = body length of cam latch/lock to be

used (see product table below).

### Tips

Wing knob actuates lock, and also acts as knob/handle.

### Important Notes

Sold subject to pack quantity.

Order No.	Handle	Body	d <sub>1</sub>	h <sub>1</sub>	lh
A1281.AW0110	Black Plastic	Chrome Plated	20	4	12.5
A1281.AW0120	Black Plastic	Black Powder	20	4	12.5