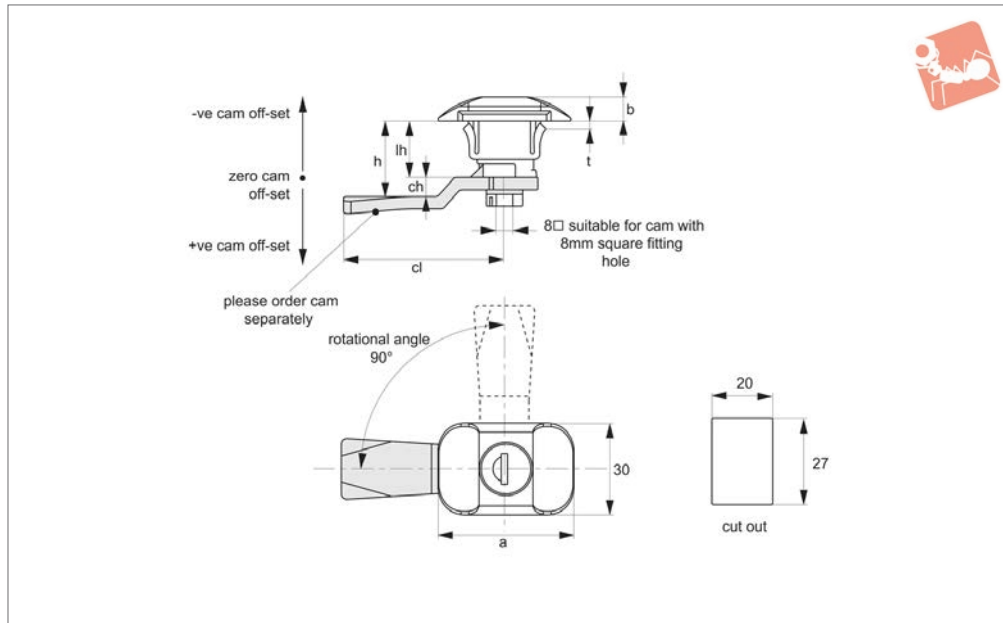




Cam Locks - Snap on cylinder lock - keyed alike, euro key



A2005

CAM LOCKS

Material

Cylinder lock: die cast zinc, chrome plated.

Technical Notes

Order cam and key separately.
Cams: see suitable cam A0203, A0224 and A0240. Select „with projection“ cam type. Dimensions ch and cl relate to cam. Use formula to calculate ch (required cam off-

set), and refer to cam selection chart;
 $ch = h - lh$ where;
 ch = required cam off-set/height.
 h = grip length (distance between inside of latch face and front of cam).
 lh = body length of cam latch/lock to be used (see product table below).
 Suitable for panel thickness 0,8-2mm

Keys: see A0102.

Tips

Easy snap on fix mounting. Make cut out in panel as shown, and simply push in handle, snap on clips will spring back to securely mount handle.

Order No.	Key type	a	b	t	lh
A2005.AW0010	Keyed Alike	43.0	7.5	0,8-2	17.8
A2005.AW0030	Euro Key	43.0	7.5	0,8-2	17.8

