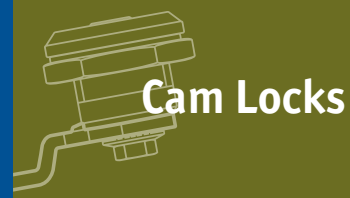


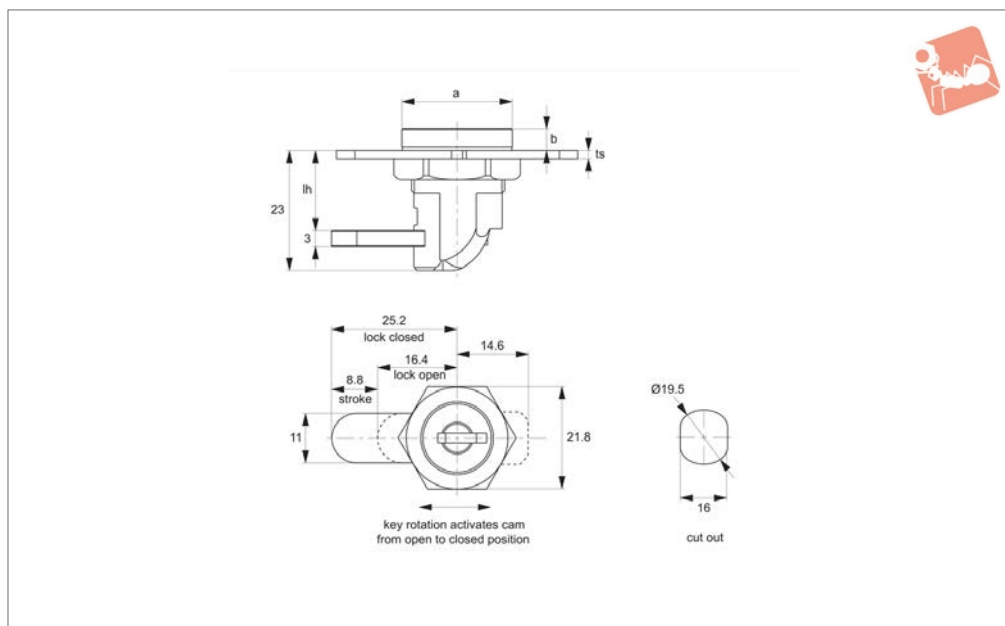


Mini Cam Lock

fixed grip - zinc - extending cam



Cam Locks



A2328

CAM LOCKS

Material

Body & insert: zinc die cast, black painted.

Supplied with: Cam: steel, white zinc plated.

Keys: two supplied per lock.

Tips

Actuation of lock by turning key 180°. The

cam extends to lock and retracts to open. Cam has effective stroke of 8,8mm.

Order No.	Key type	a	b	lh
A2328.AW0010	Keyed Alike	21.6	4	15