

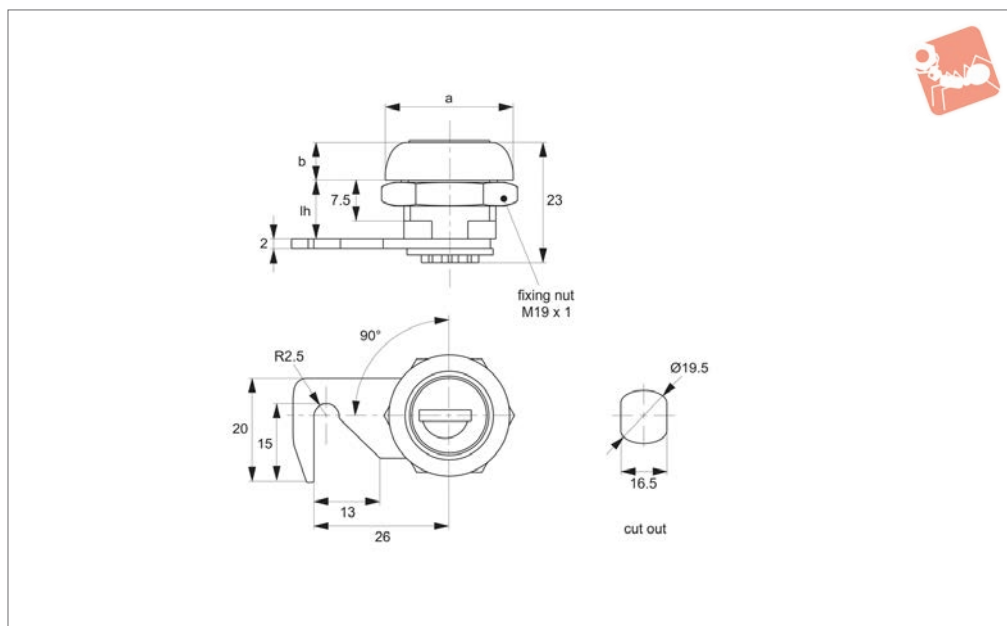


Mini Cam Lock

hooked cam - fixed grip - zinc



Cam Locks



A2330

CAM LOCKS

Material

Body: zinc die cast, bright chrome plated.

Supplied with: Cam: steel, white zinc

plated. Keys: supplied two per lock.

to fixed point on frame.

Technical Notes

Hooked cam allows locking by rotation on

Order No.	Key type	a	b	lh
A2330.AW0010	Keyed Alike	24.0	7.2	11
A2330.AW0020	Keyed to Differ	24.0	7.2	11