

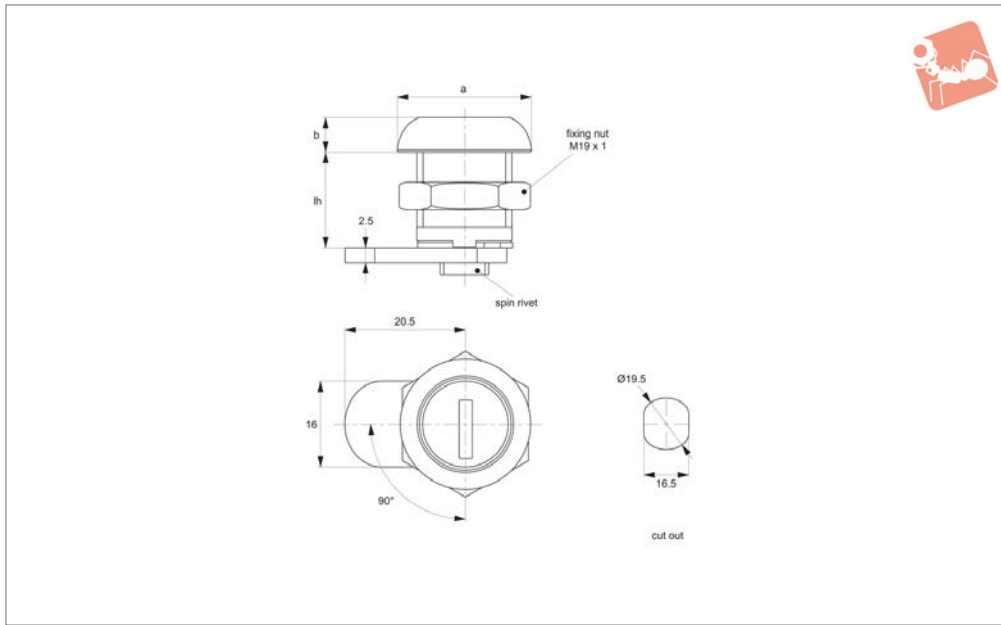


# Mini Cam Locks

fixed grip - zinc



## Cam Locks



### A2331

CAM LOCKS

#### Material

Body: zinc die cast, white zinc plated.

**Supplied with:** Cam: steel.

Keys: two per lock.

#### Tips

Quarter turn opening or closing. Ideal for

use in metal cabinets, drawers and machinery covers etc.

Due to compact size of cam and lock body there is no need to remove cam during installation.

Keyed to differ model has a max. 100 key

combinations.

Order No.	Key type	a	b	lh
<b>A2331.AW0010</b>	Keyed Alike	23.0	6	16
<b>A2331.AW0020</b>	Keyed to Differ	23.0	6	16