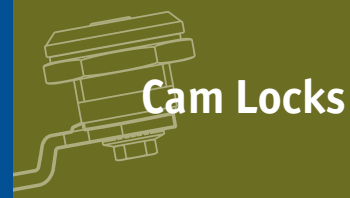


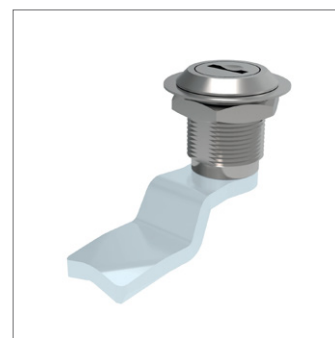
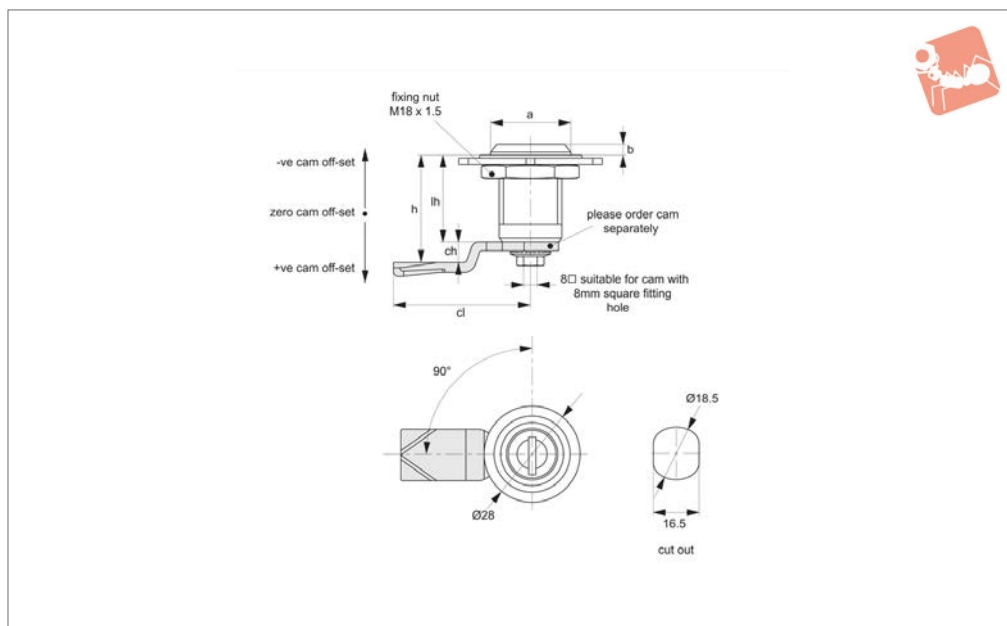


Mini Cam Lock

fixed grip - zinc



Cam Locks



A2333

CAM LOCKS

Material

Body & insert: zinc die cast, bright chrome plated.

Supplied with: Cam: steel, white zinc plated.

Keys: two per lock.

Technical Notes

Order cam separately.

Cams: see suitable cam A0203, A0224 and A0240. Select „without projection“ cam

type.

Dimensions **ch** and **cl** relate to cam. Use formula to calculate **ch** (required cam off-set), and refer to cam selection chart;

ch = h - lh where;

ch = required cam off-set/height.

h = grip length (distance between inside of latch face and front of cam).

lh = body length of cam latch/lock to be used (see product table below).

Rods & Guides: to achieve 3-point latching - A0303, A0321, A0325.

Tips

Quarter turn opening or closing. Ideal for use in metal cabinets, drawers and machinery covers etc.

Due to compact size of cam and lock body there is no need to remove cam during installation.

Order No.	Key type	a	b	lh
A2333.AW0010	Keyed Alike	22.5	3	16
A2333.AW0110	Keyed Alike	22.5	3	20
A2333.AW0210	Keyed Alike	22.5	3	30
A2333.AW0120	Keyed to Differ	22.5	3	20
A2333.AW0020	Keyed to Differ	22.5	3	16
A2333.AW0220	Keyed to Differ	22.5	3	30