

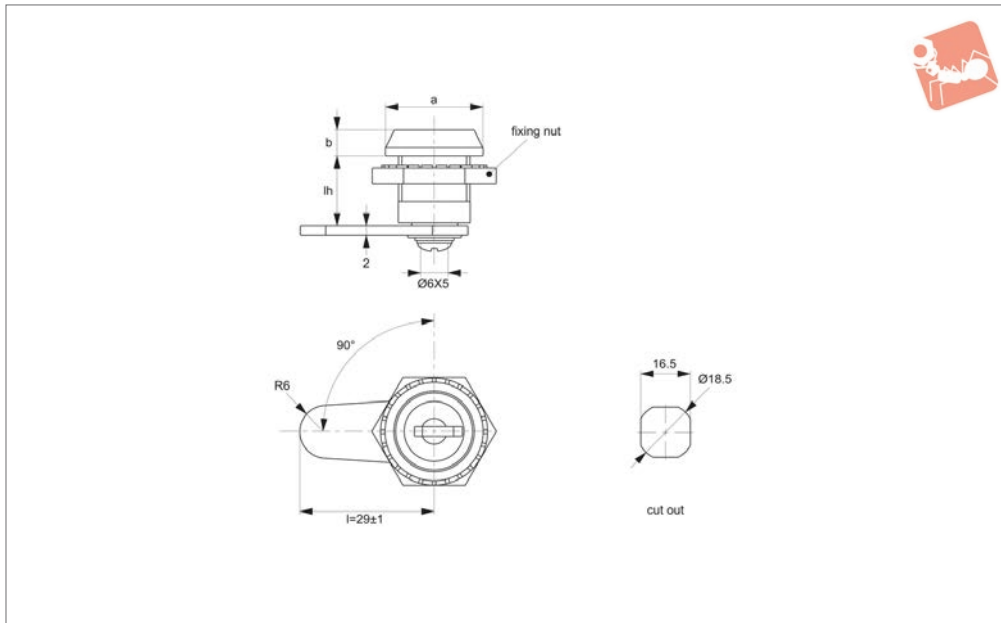


Mini Cam Lock

fixed grip - zinc



Cam Locks



A2340

CAM LOCKS

Material

Body & insert: zinc die cast, bright chrome plated.

Supplied with: Cam: steel, white zinc plated. Keys: two per lock.

Tips

Quarter turn opening or closing. Ideal for use in metal cabinets, drawers and machinery covers etc.

Due to compact size of cam and lock body

there is no need to remove cam during installation.

Order No.	Key type	a	b	lh
A2340.AW0010	Keyed Alike	22.0	6	15