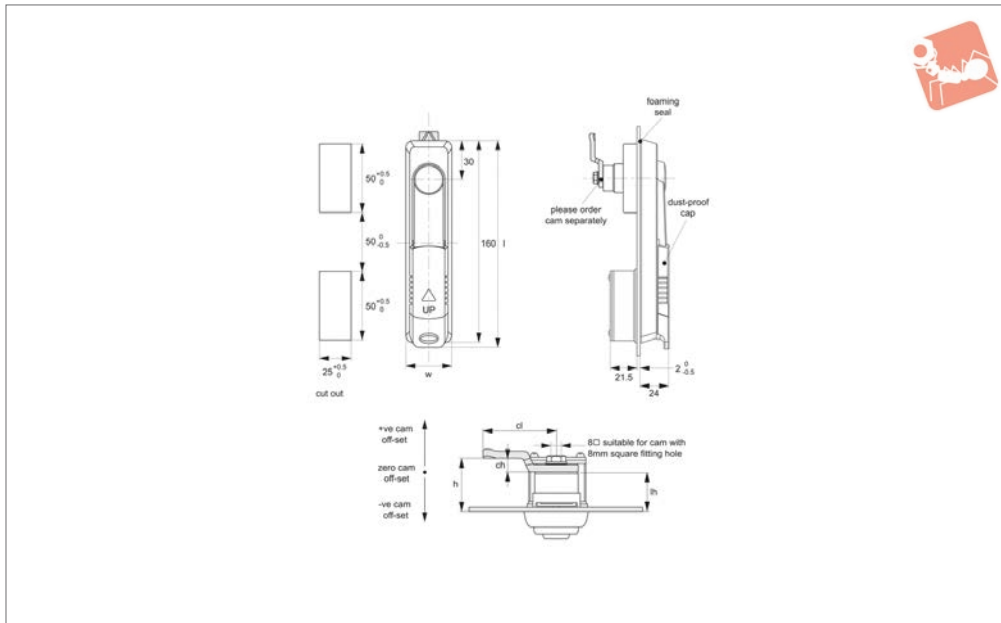


Swing Handles - Cam Control

40mm euro cylinder lock - dust proof cover - plastic

Swing Handles



B1092

SWING HANDLES

Material

Body & Handle: polyamide, PA6, black.
 Cylinder lock: die cast zinc, chrome plated.
Supplied with: Keys: two per lock.
Not supplied: Cam: order separately.

Technical Notes

Order cam separately.
Cams: see suitable cam A0203, A0224 and A0240. Select „without projection“ cam

type.
 Dimensions ch and cl relate to cam. Use formula to calculate ch (required cam off-set), and refer to cam selection chart;
 $ch = h - lh$ where;
 ch = required cam off-set/height.
 h = grip length (distance between inside of latch face and front of cam).
 lh = body length of cam latch/lock to be

used (see product table below).
Rods & Guides: to achieve 3-point latching - A0303, A0321, A0325.

Tips

Ideal for electrical cabinets, telecom racks or enclosures max. panel thickness of 2mm. For use inside of cabinet gasket. Universal left/right.

Order No.	Finish	Lock type	Key type	l	w	lh
B1092.AW0010	Black, Plastic	40 Euro	Keyed Alike	165	35	16

