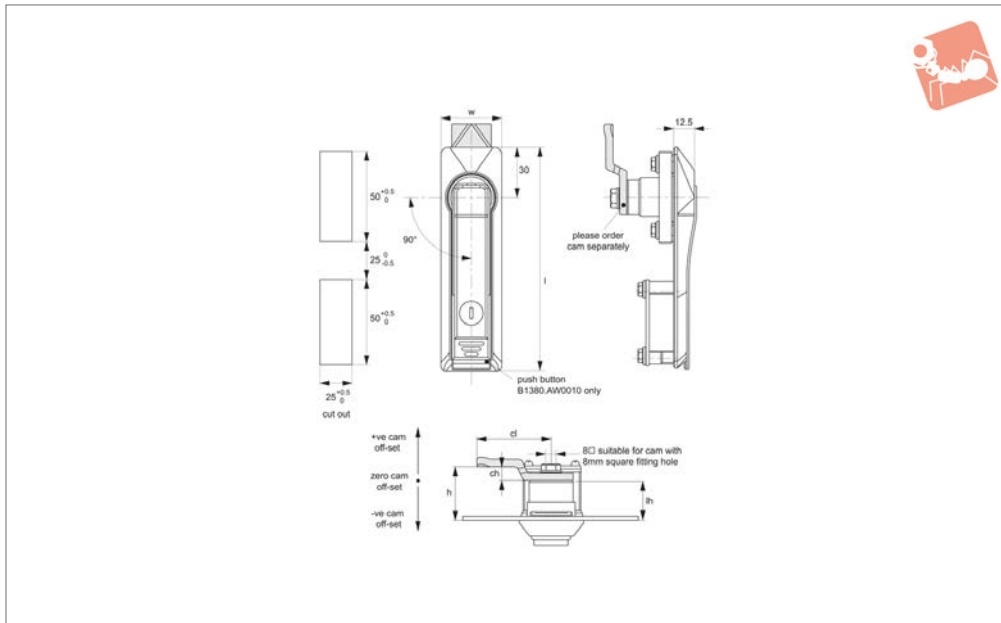




Swing Handles - Cam Control - Short standard cylinder - push button - zinc

Swing Handles



B1380

SWING HANDLES

Material

Body & Handle: die cast zinc, black painted.
Cylinder lock: die cast zinc, chrome plated.
Supplied with: Key: two per lock.
Not supplied: Cam: please order separately.

Technical Notes

Order cam separately.

Cams: see suitable cam A0203, A0224 and A0240. Select „without projection“ cam type.
Dimensions ch and cl relate to cam. Use formula to calculate ch (required cam off-set), and refer to cam selection chart;
ch = h - lh where;
ch = required cam off-set/height.
h = grip length (distance between inside of

latch face and front of cam).
lh = body length of cam latch/lock to be used (see product table below).
Rods & Guides: to achieve 3-point latching - A0303, A0321, A0325.

Order No.	Type	Lock type	Key type	l	w	lh
B1380.AW0010	With Button	Std. Cylinder	Keyed Alike	133	36	19
B1380.AW0020	W/o Button	Std. Cylinder	Keyed Alike	133	36	19