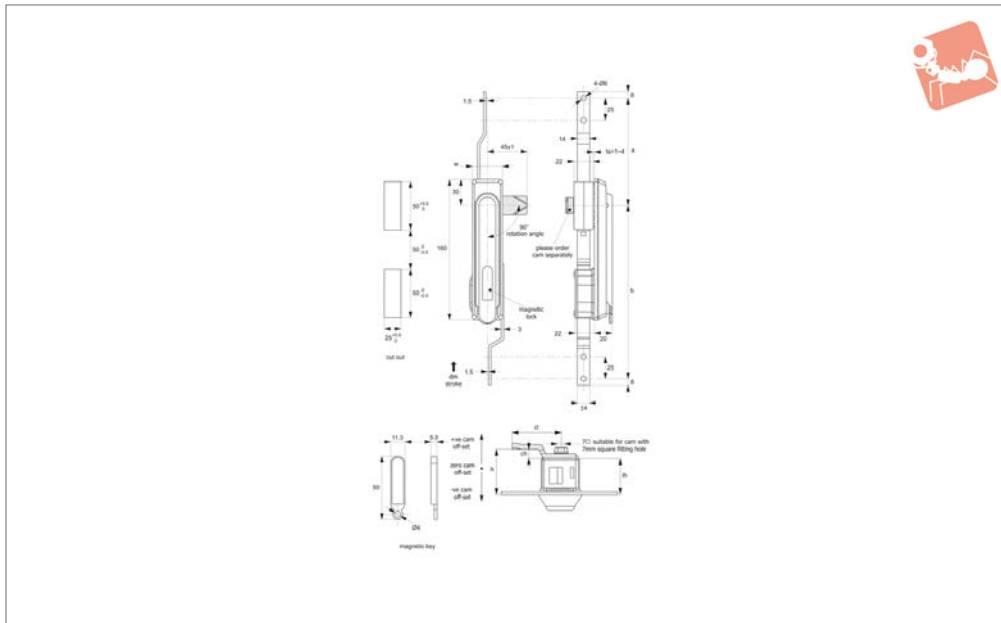




Swing Handles - with Rod Control

magnetic key - zinc

Swing Handles



B2084

SWING HANDLES

Material

Body & Handle: die cast zinc, block powder coated.

Rod Control Mechanism: die cast zinc.

Supplied with: Cam: steel, zinc plated.

Key: magnetic key.

Technical Notes

Order cam separately.

Cams: see suitable cam A0215. Select

„without projection“ cam type.

Dimensions ch and cl relate to cam. Use formula to calculate ch (required cam off-

set), and refer to cam selection chart;

ch = h - lh where;

ch = required cam off-set/height.

h = grip length (distance between inside of latch face and front of cam).

lh = body length of cam latch/lock to be used (see product table below).

Rods & Guides: to achieve 3-point latching - A0303, A0321, A0325.

Tips

Universal left or right hand locking achievable

Suitable for panel thickness 1 - 4mm.

Important Notes

Place magnetic key over magnetic lock to release handle. Lift and turn handle to release cam and rod controls to open panel. Magnetic lock system ensures lock mechanism is never exposed, giving less risk of dust or other external ingress.

Order No.	Finish	Lock type	Key type	w	lh	a	b	dm stroke
B2084.AW0010	Black Coated	Magnetic	Magnetic Security	34	23	122	196	15