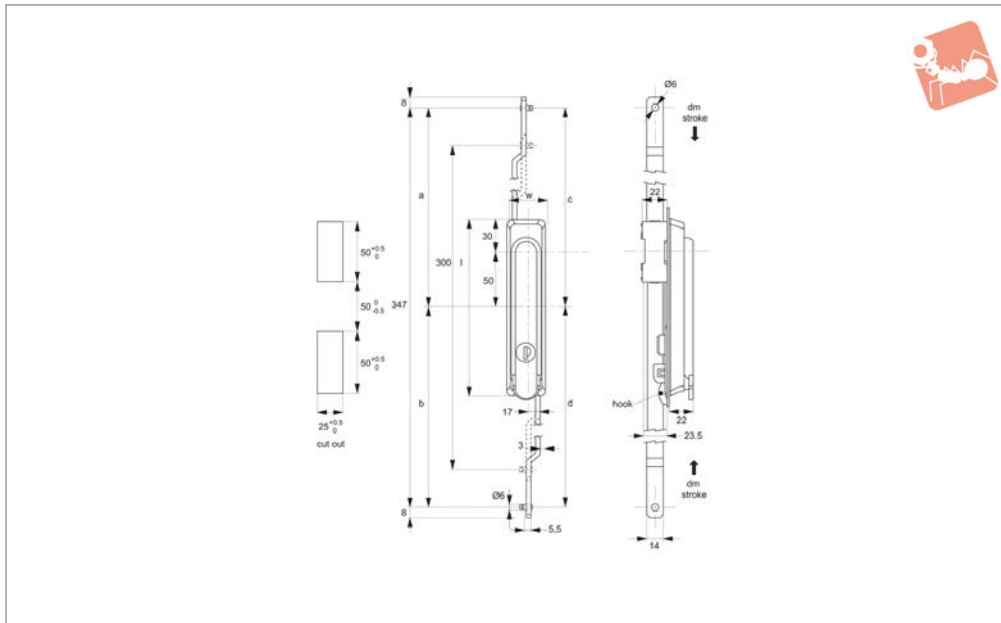




Swing Handle - with Rod Control

standard cylinder - polyamide

Swing Handles



B2181

SWING HANDLES

Material

Body & Handle: polyamide (PA), black.
 Cylinder lock: die cast zinc, chrome plated.
 Rod Control Mechanism: die cast zinc.
Supplied with: Keys: two per lock.

Not supplied: Rods: order separately.

Technical Notes

Suitable for two point latching.
 Not suitable for three point latching.

Rods & Guides: A0303, A0321, A0325.

Tips

Suitable for panel thickness 1 - 2mm.

Order No.	Finish	Latching type	Key type	l	w	lh	a	b	c	d	dm stroke 135°	dm stroke 90°
B2181.AW0010	Black, Plastic	2-Point	Keyed Alike	160	35	22	123.5	223.5	173.5	173.5	23.5	16