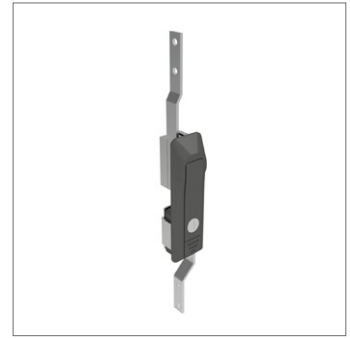
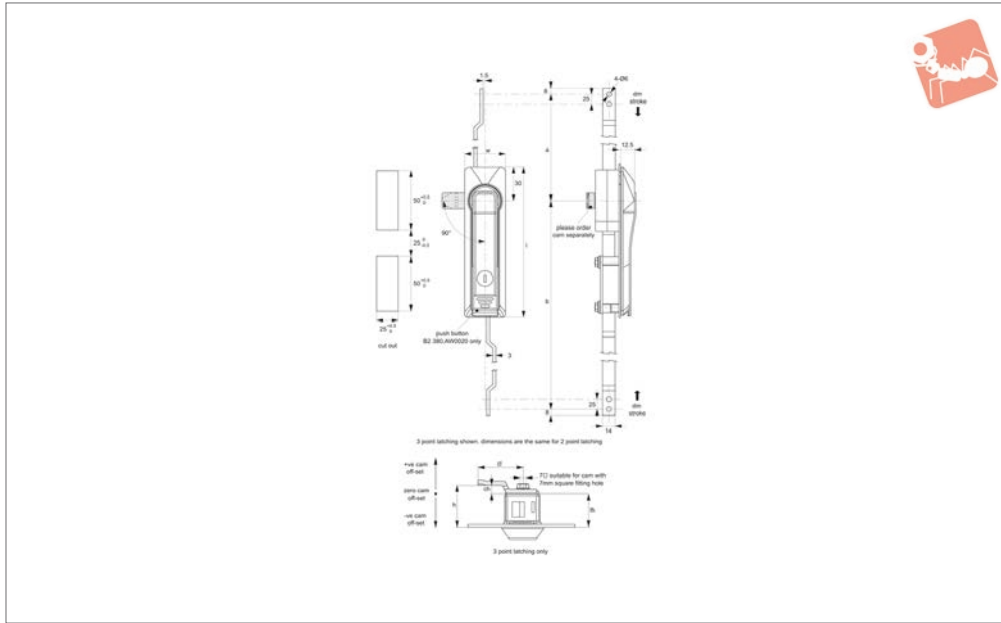


Swing Handles - with Rod Control

standard cylinder - zinc

Swing Handles



B2380

SWING HANDLES

Material

Body & Handle: die cast zinc, black powder coated.

Cylinder lock: die cast zinc, chrome plated.

Rod Control Mechanism: die cast zinc.

Supplied with: Keys: two per lock.

Not supplied: Cam: order separately.

Technical Notes

Please note that the two point latching models use a bespoke mechanism. A cam

cannot be fitted to it to create a three point latching.

Order cam separately.

Cams: see suitable cam A0215. Select „without projection“ cam type.

Dimensions ch and cl relate to cam. Use formula to calculate ch (required cam off-set), and refer to cam selection chart;

$ch = h - lh$ where;

ch = required cam off-set/height.

h = grip length (distance between inside of latch face and front of cam).

lh = body length of cam latch/lock to be used (see product table below).

Rods & Guides: to achieve 3-point latching - A0303, A0321, A0325.

Tips

Suitable for panel thickness 1-4mm. For indoor or outdoor use. For use inside or outside gasket.

Order No.	Finish	Latching type	Key type	Button	l	w	lh	a	b	dm stroke
B2380.AW0010	Black Coated	3	Keyed Alike	W/o	133	36	22	122	196	15
B2380.AW0020	Black Coated	3	Keyed Alike	With	133	36	22	122	196	15
B2380.AW0030	Black Coated	2	Keyed Alike	W/o	133	36	22	122	196	15
B2380.AW0040	Black Coated	2	Keyed Alike	With	133	36	22	122	196	15