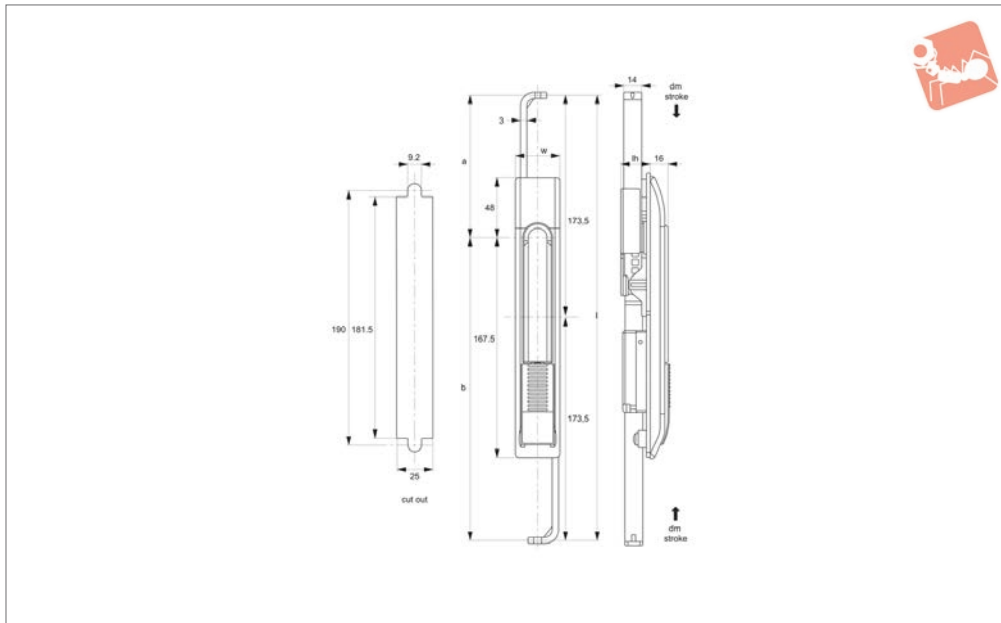




Swing Handles - with Rod Control

40mm euro cylinder lock - sliding cover - polyamide

Swing Handles



B2450

SWING HANDLES

Material

Body: polyamide plastic, black.
 Handle: die cast zinc, chrome plated.
 Cylinder lock: die cast zinc, chrome plated.
 Rod Control Mechanism: die cast zinc.
Supplied with: Keys: two per lock.

bottom of panel. Not suitable for 3 point clamping.
 Unlock handle to release, lift and turn to activate rod control mechanism and release panel.
 Sliding lock cover prevents ingress of dust etc. into lock mechanism.

Tips

Suitable for panel thickness 1 to 2mm.

Technical Notes

Achieves 2 point clamping at top and

Order No.	Finish	Lock type	Key type	l	w	lh	a	b	dm stroke 135°	dm stroke 90°
B2450.AW0010	Black Coated	40 Euro	Keyed Alike	347	36	20	113.8	233.2	23.5	16.0