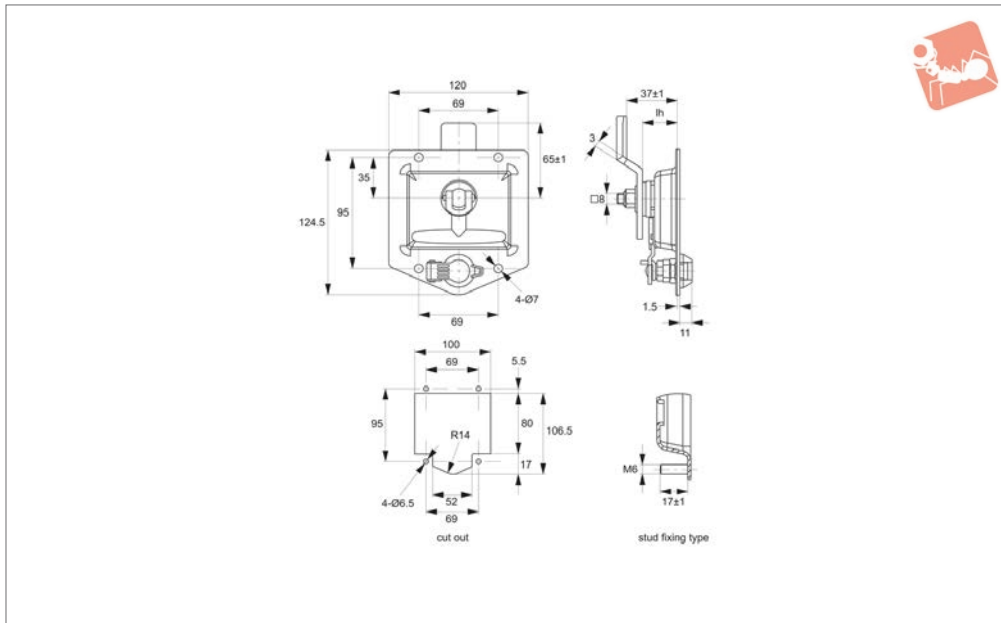




Cam Latch - Flush T-handle

vertical - heavy duty - fixed grip - standard cylinder

Paddle Latches



B4586

PADDLE LATCHES

Material

Body: stainless steel, AISI 303.
 Handle: die cast zinc, chrome plated.
 Cylinder lock: die cast zinc, chrome plated.
Supplied with: Keys: two per lock.
 Cam: stainless steel, AISI 303.

Technical Notes

Hole fixing type requires 4 off M 6 screws

(not supplied), for front mounting.
 Stud fixing type has 4 off M 6 welded studs for near mounting with M 6 nuts (not supplied).

Tips

Ideal for electricity sub-stations, HGVs and other road side vehicles.
 T-handle is in the vertical position when

locked. Universal left/right. For use inside of cabinet gasket.
 Can be used with cam range A0203.

Order No.	Mounting type	Lock type	Key type	lh
B4586.AW0010	Hole Fixing	Std. Cylinder	Keyed Alike	25
B4586.AW0020	Stud Fixing	Std. Cylinder	Keyed Alike	25



cut out	Cylinder Profile		Body		IP Rating	Locking System			Use		Cam Type				
	Std. Cylinder Lock	40mm Euro Padlockable Insert Driver	Die-Cast Zinc	Polyamide Plastic		Stainless Steel	Aluminium	1-point	2-point	3-point		Inside Gasketing	Outside Gasketing		
	Std. Cylinder Lock	40mm Euro Padlockable Insert Driver	Die-Cast Zinc	Polyamide Plastic	Stainless Steel	Aluminium	IP Rating	1-point	2-point	3-point	Inside Gasketing	Outside Gasketing	With Projection	W/O Projection	Cam Type
	✓		✓				54	✓	✓	✓	✓				✓
Cams: A0203, A0224, A0240 - Keys: Supplied															

cut out	Cylinder Profile		Body		IP Rating	Locking System			Use		Cam Type				
	Std. Cylinder Lock	40mm Euro Padlockable Insert Driver	Die-Cast Zinc	Polyamide Plastic		Stainless Steel	Aluminium	1-point	2-point	3-point		Inside Gasketing	Outside Gasketing		
	Std. Cylinder Lock	40mm Euro Padlockable Insert Driver	Die-Cast Zinc	Polyamide Plastic	Stainless Steel	Aluminium	IP Rating	1-point	2-point	3-point	Inside Gasketing	Outside Gasketing	With Projection	W/O Projection	Cam Type
	✓		✓								✓	✓			✓
Cams: Supplied - Keys: Supplied															
	✓		✓					✓			✓	✓			✓
Cams: Supplied - Keys: Supplied															
	✓		✓					✓			✓	✓			✓
Cams: Supplied - Keys: Supplied															

cut out	Cylinder Profile		Body		IP Rating	Locking System			Use		Cam Type				
	Std. Cylinder Lock	40mm Euro Padlockable Insert Driver	Die-Cast Zinc	Polyamide Plastic		Stainless Steel	Aluminium	1-point	2-point	3-point		Inside Gasketing	Outside Gasketing		
	Std. Cylinder Lock	40mm Euro Padlockable Insert Driver	Die-Cast Zinc	Polyamide Plastic	Stainless Steel	Aluminium	IP Rating	1-point	2-point	3-point	Inside Gasketing	Outside Gasketing	With Projection	W/O Projection	Cam Type
	✓			✓				✓			✓	✓			✓
Cams: Supplied - Keys: Supplied															



Models available



Cam Latch - Flush T-Handle with rod control for multi-point latching



Cam Latch - Flush T-Handle for single point latching



Cam Latch - Flush T-Handle with adjustable grip



Cam Latch - Concealed T-Handle for electricity panels

Variety of materials

- Steel.
- Stainless steel.
- Aluminium.
- Polyamide.

Actuation/locking method

- Blank, without lock.
- Standard cylinder Lock.
- Padlockable T-Handle actuation.

Features

- Heating & ventilation.
- Generators.
- Compressors.
- Machine covers.

- Electric panels.
- Off-road equipment.
- Industrial transport.
- Special equipment cases.

Applications