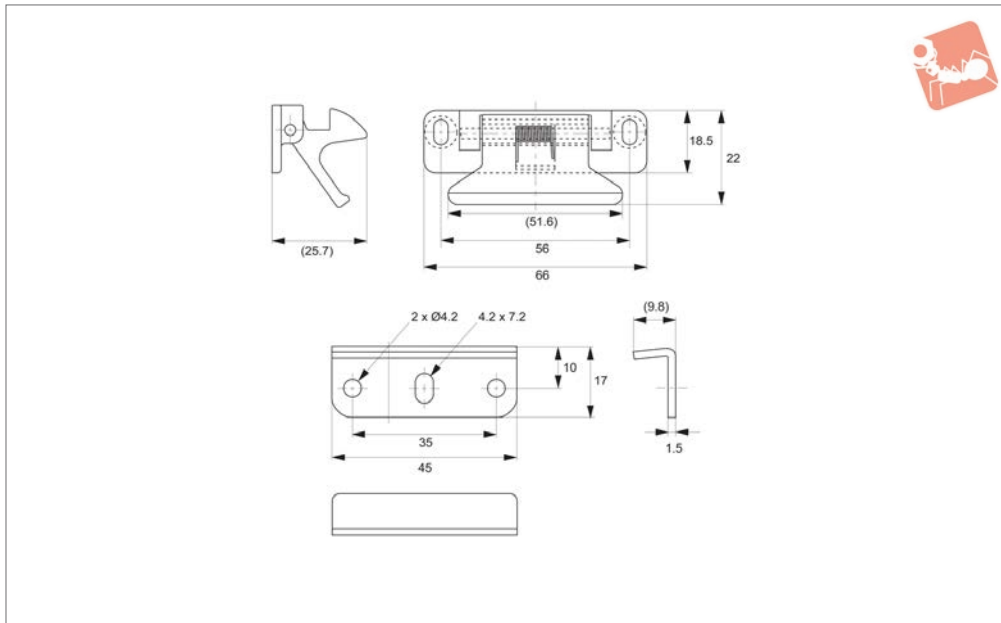




Lever Catches

finger tip control - stainless steel

Catches & Latches



E2002

CATCHES & LATCHES

Material

Stainless steel, AISI 316.

Technical Notes

Screws not supplied.

This lever catch is designed for use on door without knob or handle, to provide concealed latching and securing of panel.

Order No.	Finish	Holding force	Weight
E2002.AC0530	Stainless Steel	kg 20	g 85

