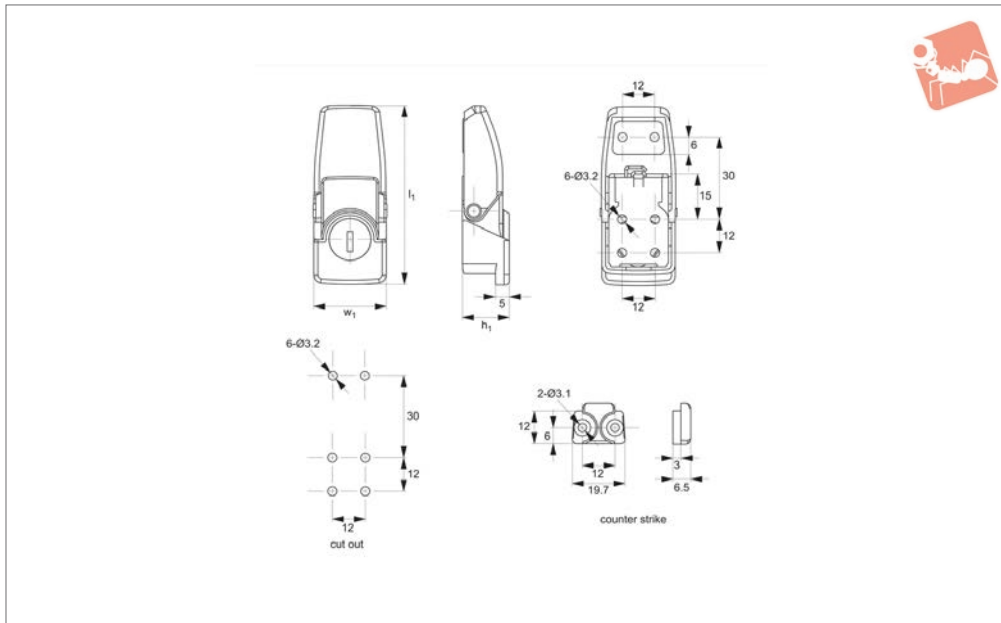




Draw Latches - with Lock

zinc

Draw Latches



J0240

DRAW LATCHES

Material

Housing and Strike: die cast zinc, black powder coated.

Bracket: stainless steel.

Supplied with: Keys: two per lock.

Not supplied: Fixing screws.

Order No.	Type	l ₁	Material	h ₂	w ₂
J0240.AW0010	With Lock	64.5	Chrome Plated	16.5	26.5
J0240.AW0020	With Lock	64.5	Black Coated	16.5	26.5
J0240.AW0310	Blank - No Lock	64.5	Chrome Plated	16.5	26.5
J0240.AW0320	Blank - No Lock	64.5	Black Coated	16.5	26.5