



# Toggle Latches

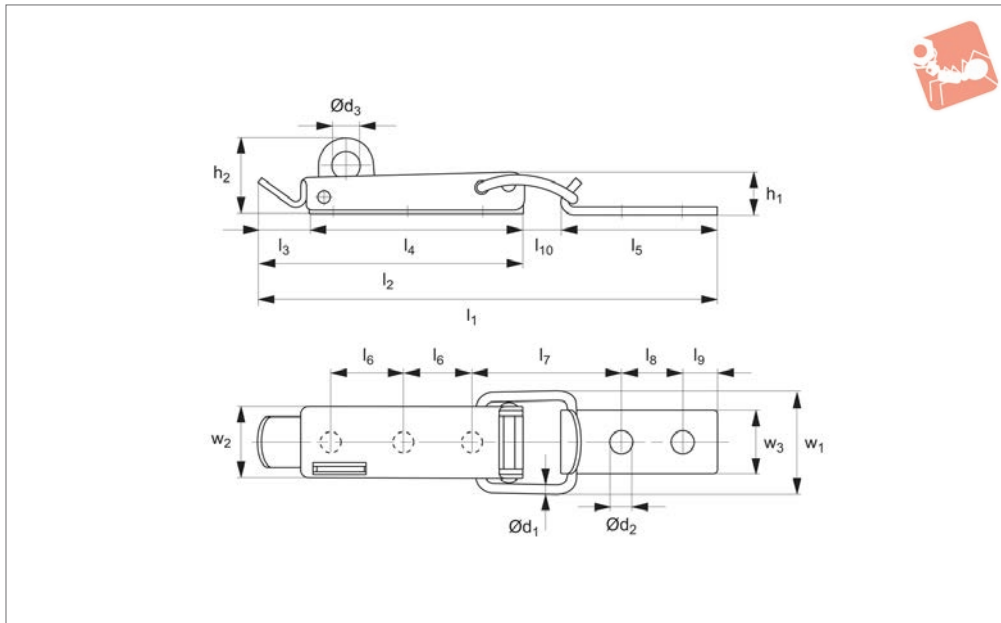
with padlock shackle, **stainless steel**

# Draw Latches



**J0430**

DRAW LATCHES



**Material**

Steel, Fe P02 + P12, UNI5866, zinc plated.  
Or stainless steel AISI 304, UNI x5crNi.

**Technical Notes**

Supplied with counter strike. Use a padlock of 7mm dia. or less.

Order No.	Finish	l <sub>1</sub>	h <sub>1</sub>	w <sub>1</sub>	Ø d <sub>1</sub>	Ø d <sub>2</sub>	Ø d <sub>3</sub>	h <sub>2</sub>	l <sub>2</sub>	l <sub>3</sub>	Weight g
J0430.AC0004	Zinc Plated Steel	140.5	12.5	34	3	4.1	7	20	86	16	80
J0430.AC0030	Stainless Steel	140.5	12.5	34	3	4.1	7	20	86	16	80

Order No.	l <sub>4</sub>	l <sub>5</sub>	l <sub>6</sub>	l <sub>7</sub> ±0.5	l <sub>8</sub>	l <sub>9</sub>	l <sub>10</sub>	w <sub>2</sub>	w <sub>3</sub>	Load N max.	Tension N max.
J0430.AC0004	70	43	22.5	38	20	8	11.5	23	19	1500	3000
J0430.AC0030	70	43	22.5	38	20	8	11.5	23	19	1500	3000