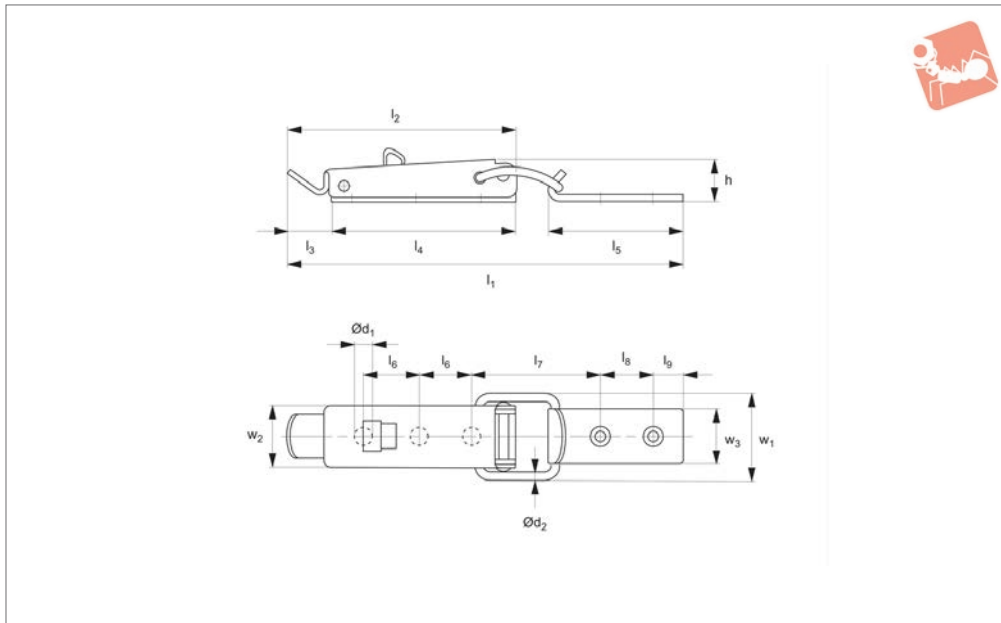




Toggle Latches

with secondary lock, **stainless steel**

Draw Latches



J0462

DRAW LATCHES

Material

Steel, Fe P02 + P12, UNI5866, zinc plated.
Or stainless steel AISI 304, UNI x5crNi.

Technical Notes

Supplied with counter strike.

Order No.	Finish	l_1	h	w_1	$\varnothing d_1$	$\varnothing d_2$	l_2	l_3	l_4	Weight g
J0462.AC0004	Zinc Plated Steel	102	11	23	3.2	2	60	16	44	30
J0462.AC0030	Stainless Steel	102	11	23	3.2	2	60	16	44	30

Order No.	l_5	l_6	l_7 ± 0.5	l_8	l_9	w_2	w_3	Load N max.	Tension N max.
J0462.AC0004	30	12.5	34.5	12	5	16.4	13	550	1300
J0462.AC0030	30	12.5	34.5	12	5	16.4	13	350	1000