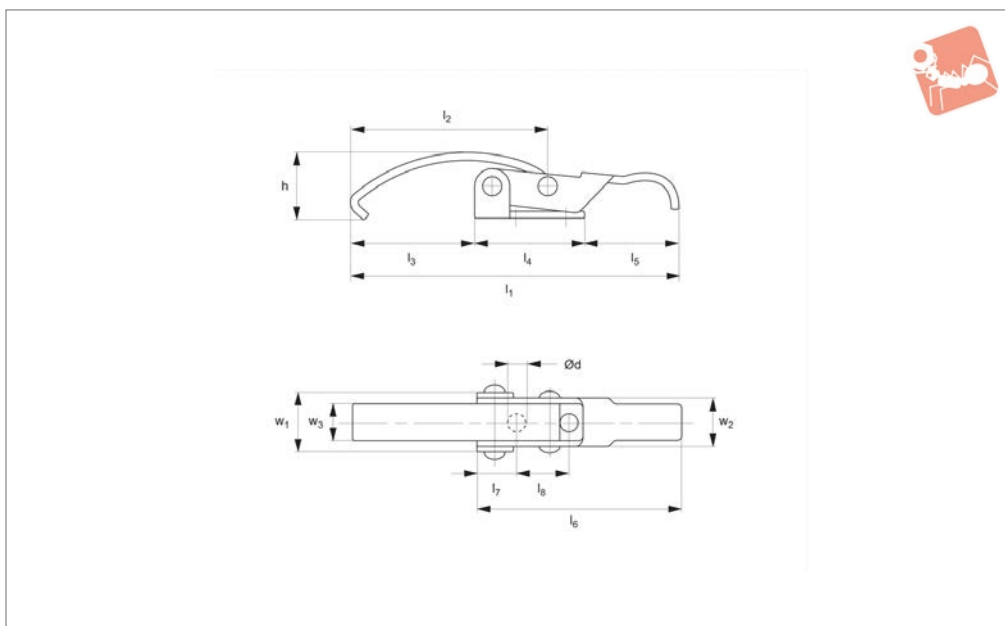




Toggle Latches

spring clip, stainless steel

Draw Latches



J0556

DRAW LATCHES

Material

Steel, Fe P02 + P12, UNI5866, zinc plated.
Or stainless steel AISI304, UNI x5crNi.

Technical Notes

Counter strike not supplied.

Order No.	Finish	l_1	w_1	h	$\varnothing d$	l_2	l_3	l_4	Weight g
J0556.AC0004	Zinc Plated Steel	90	17	17	5	54	34	30	30
J0556.AC0030	Stainless Steel	90	17	17	5	54	34	30	30

Order No.	l_5	l_6	l_7	l_8	w_2	w_3	Load N max.	Tension N max.
J0556.AC0004	26	56	11	14	13.5	10	500	900
J0556.AC0030	26	56	11	14	13.5	10	500	900