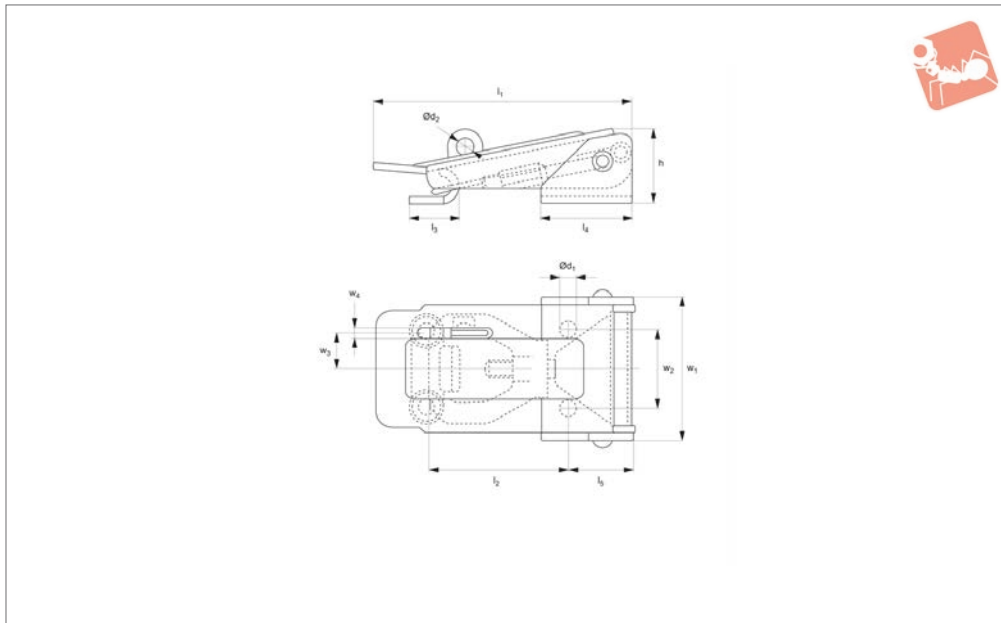




Toggle Latches

adjustable with padlock hasp.

Draw Latches



J0562

DRAW LATCHES

Material

Steel, Fe P02 + P12, UNI5866, zinc plated.

Technical Notes

Supplied with counter strike.

Draw length adjustable through turns of threaded draw rod, giving 12mm length of adjustment.
Use padlock of 6mm dia. or less.

Order No.	Finish	l_1	h	w_1	$\varnothing d_1$	$\varnothing d_2$	l_2	Weight g
J0562.AC0004	Zinc Plated Steel	88	26	48.5	5.5	6	48 to 60	170
Order No.	l_3	l_4	l_5	w_2	w_3	w_4	Load N max.	Tension N max.
J0562.AC0004	17	31	22	26	12	1.5	1500	3000