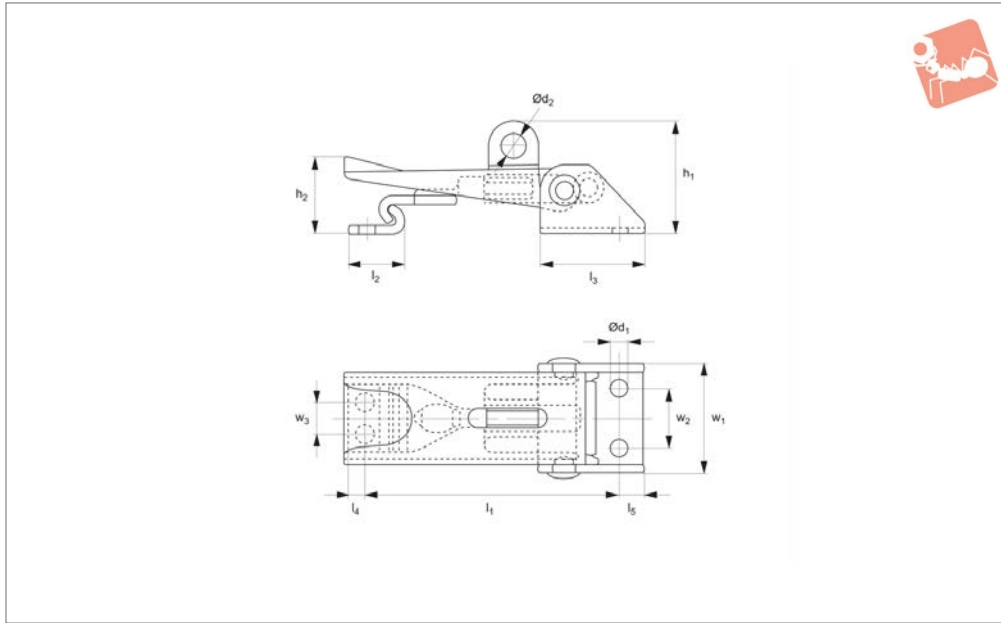




Toggle Latches

adjustable with padlock shackle, **stainless steel**

Draw Latches



J0602

DRAW LATCHES

Material

Steel, Fe P02 + P12, UNI5866, zinc plated.
Or stainless steel AISI 304, UNI x5crNi.

Draw length adjustable through turns of threaded draw rod, giving 10mm length of adjustment.

Technical Notes

Supplied with counter strike.

Use padlock of 6mm dia. or less.

Order No.	Finish	l_1	h_1	w_1	$\varnothing d_1$	$\varnothing d_2$	h_2	Weight g
J0602.AC0008	Zinc Plated	60 to 70	27	25.5	4.2	6	18	55
J0602.AC0030	Stainless Steel	60 to 70	27	25.5	4.2	6	18	55

Order No.	l_2	l_3	l_4	l_5	w_2	w_3	Load N max.	Tension N max.
J0602.AC0008	14	25	4	6	14	8	1000	1400
J0602.AC0030	14	25	4	6	14	8	1000	1400