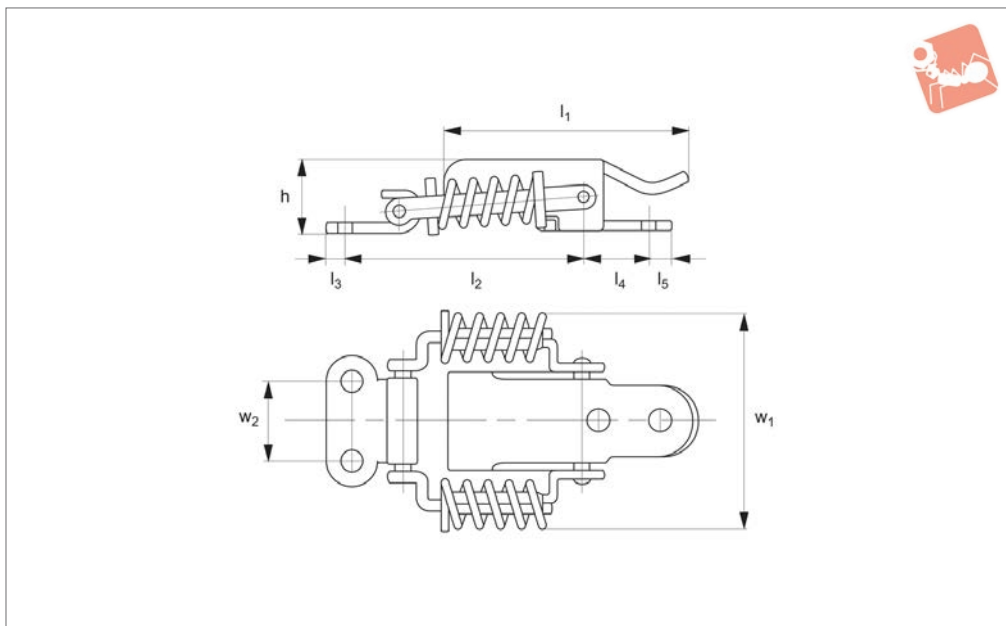




Toggle Latches

with tension springs, **stainless steel**

Draw Latches



J0620

DRAW LATCHES

Material

Steel, Fe P02 + P12, UNI5866, zinc plated.
Or stainless steel AISI304, UNI x5crNi.

Technical Notes

Supplied with counter strike.

Order No.	Finish	l_1	w_1	h	$\varnothing d_1$	l_2	l_3	l_4	l_5	w_2	w_3	Load N max.	Tension N max.	Weight g
J0620.AC0008	Zinc Plated	60 to 63	37	12.5	3.2	38 to 41	4	10	5.5	14	15	500	1500	35
J0620.AC0030	Stainless Steel	60 to 63	37	12.5	3.2	38 to 41	4	10	5.5	14	15	500	1500	35