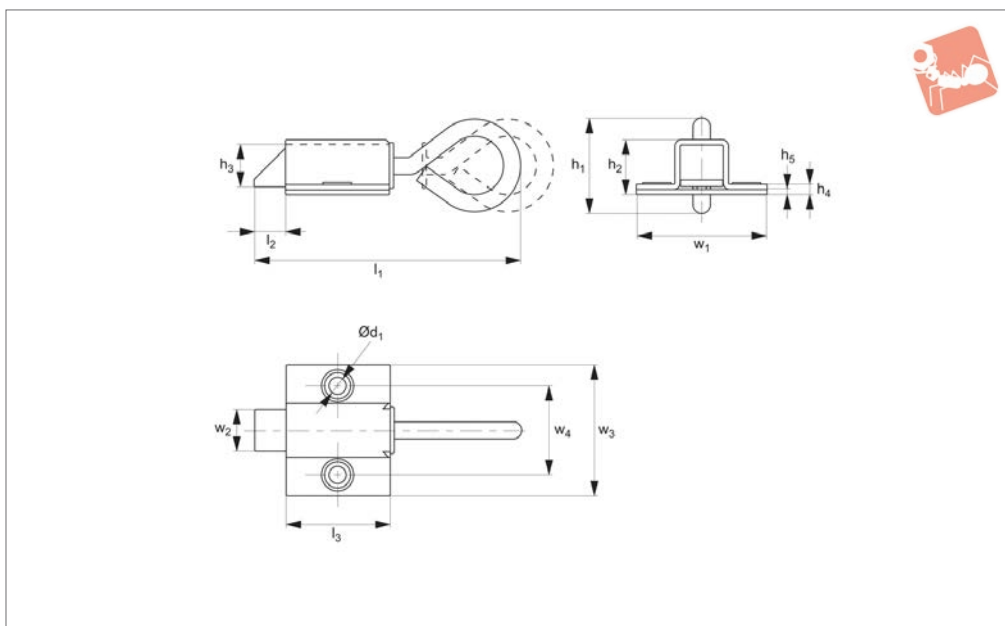


Slide Bar Latches - Pull Ring

steel

Catches & Latches



J6266

CATCHES & LATCHES

Material

Body: steel, zinc plated.

Technical Notes

Mounted via 2 x M5 screws (not supplied).

Tips

Easy actuation using pull ring, catch has stroke of 9,5mm.

Order No.	l_1	l_2 stroke	l_3	h_1	h_2	h_3	h_4	h_5	$\varnothing d_1$	w_1	w_2	w_3	w_4
J6266.AW0010	83	9.5	34	28	16.5	12.7	3	1.5	5.3	39	12.7	39	26.9