

N2100

LID & DOOR STAYS

Material

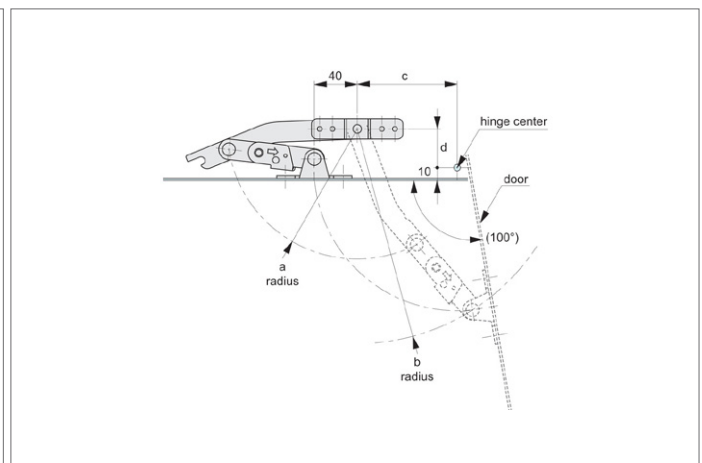
Stainless steel, AISI 304, polished.

Technical Notes

Mechanically locks door at fully open posi-

tion. Slide the locking lever to release stay. Lever will remain in unlocked position until the door is returned to fully open position.

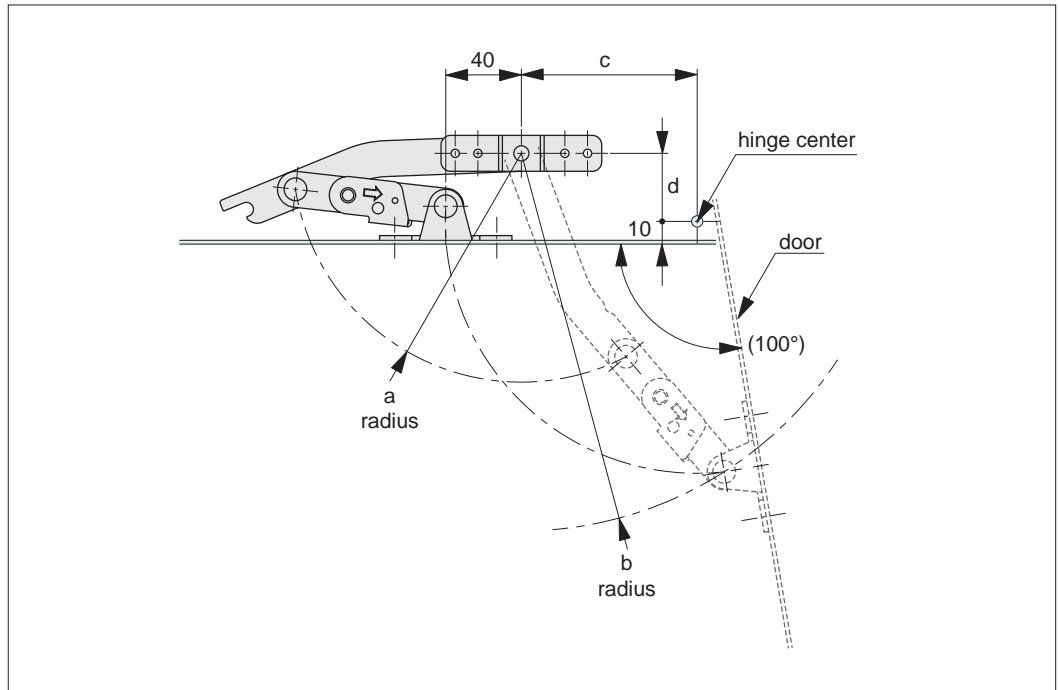
Order No.	Type	l_1	a	b	c	d	l_2	l_3	l_4	Weight g
N2100.AC0110	Left	200	121	200	93	36	121	80	45	290
N2100.AC0010	Right	200	121	200	93	36	121	80	45	290
N2100.AC0120	Left	280	161	280	145	40	161	120	44	340
N2100.AC0020	Right	280	161	280	145	40	161	120	44	340



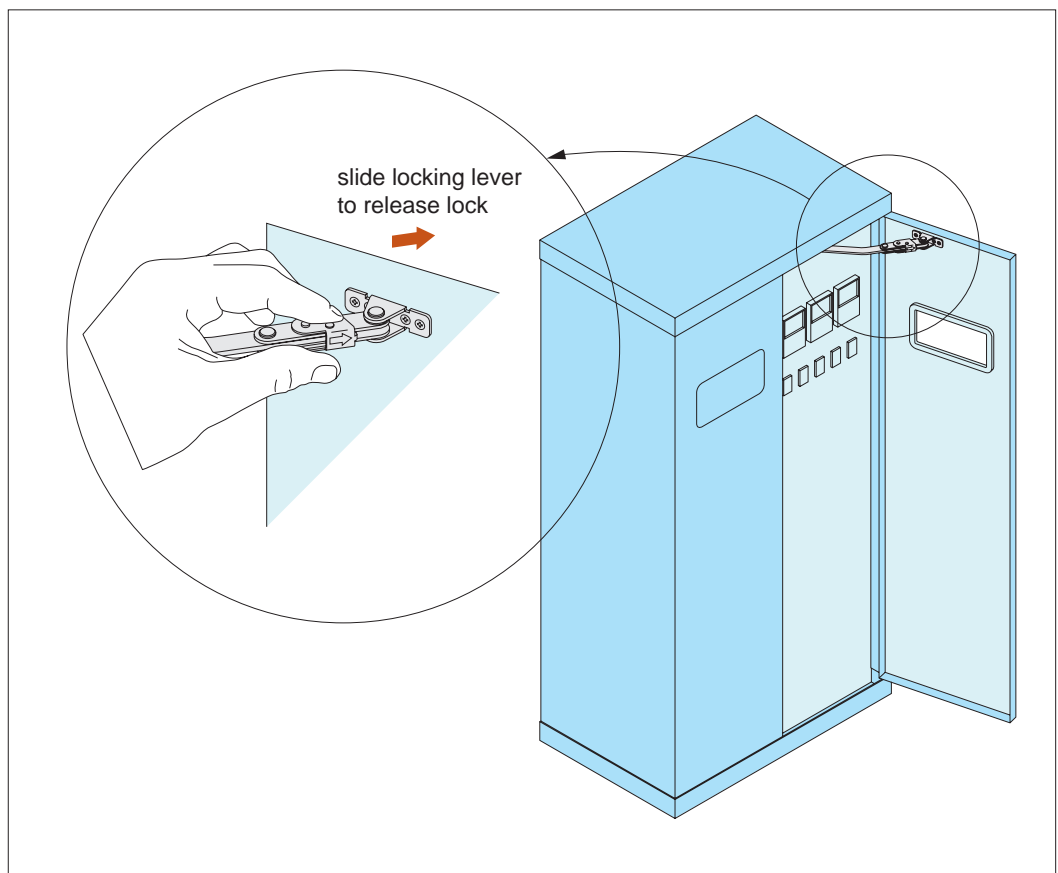


Installation

Installation dimensions



Easy actuation and release

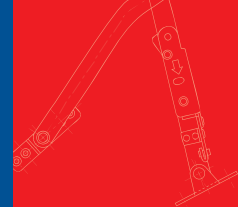










Wixroyd Door Stays

product selection charts

Stays



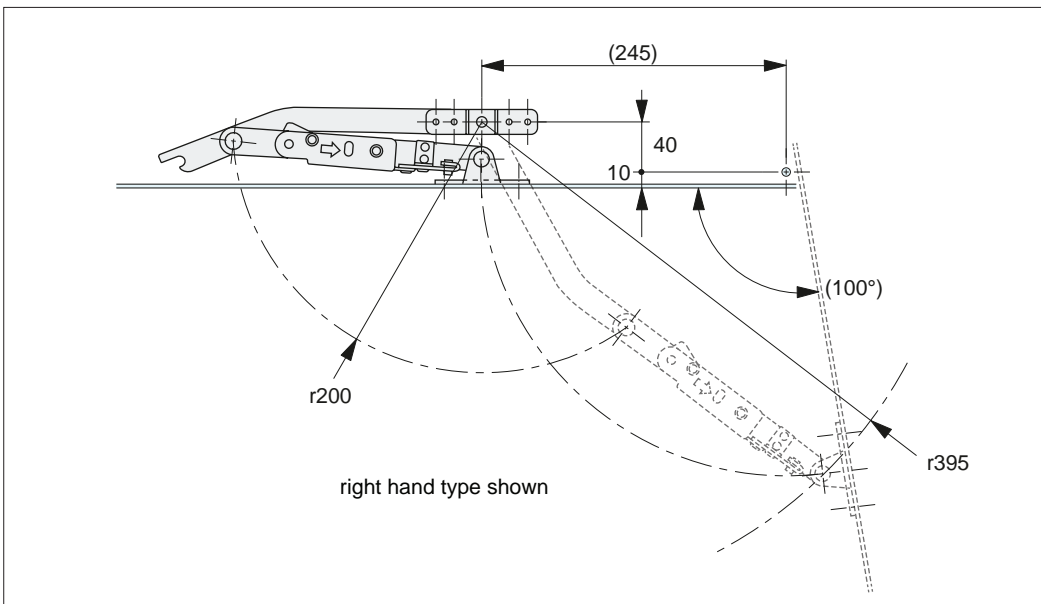
LID & DOOR STAYS

	Mounting			Door Opening			Material		Heavy Duty	Compression Force Kgf	Max Door Width mm	Tensile Force Kg	Max Angle
	Right	Left	Universal	Muti Stop	Soft Closing	Hold Open	Steel	Stainless Steel					
N2000 			✓	✓				✓			600-910		90°
N2020 	✓	✓			✓			✓		0,6-1,5	300		90°
N2050 			✓			✓	✓			50-60		50-60	100°
N2100 	✓	✓				✓		✓		50-60		150	100°
N2120 			✓			✓			✓	30		60	100°
N2200 	✓	✓				✓		✓	✓	50-60		150	100°

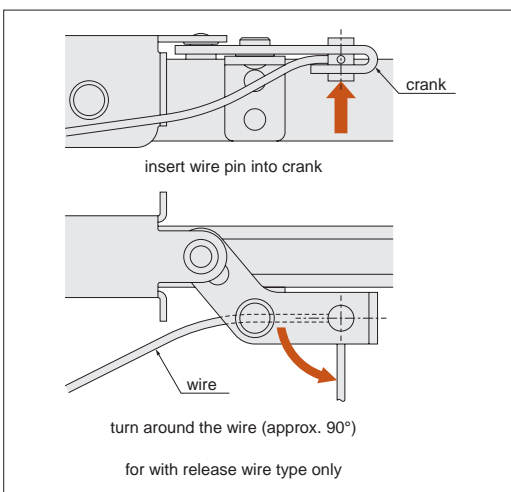
ov-WN2000-A-T-WN2000-A-TST0510-door-stays-product-selection-charts-rnh- Updated -25-10-2022



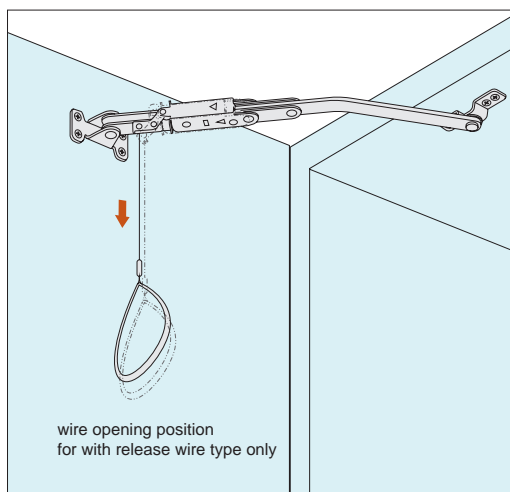
Installation dimensions



Installation of lock release wire



Installation of Lock Release Wire

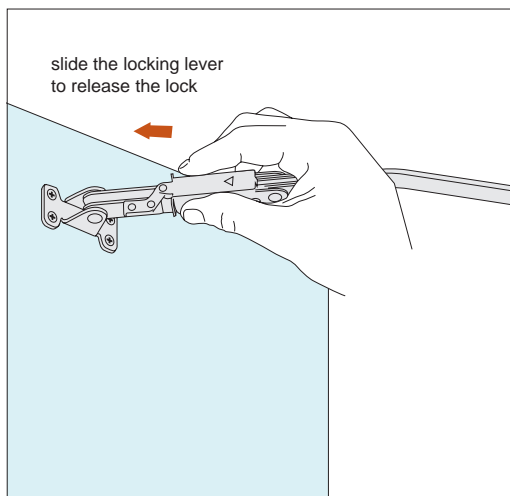


Release of Stay with Release Wire

Stay lock and release



Full Lock Out Indicator



Manual Stay Release